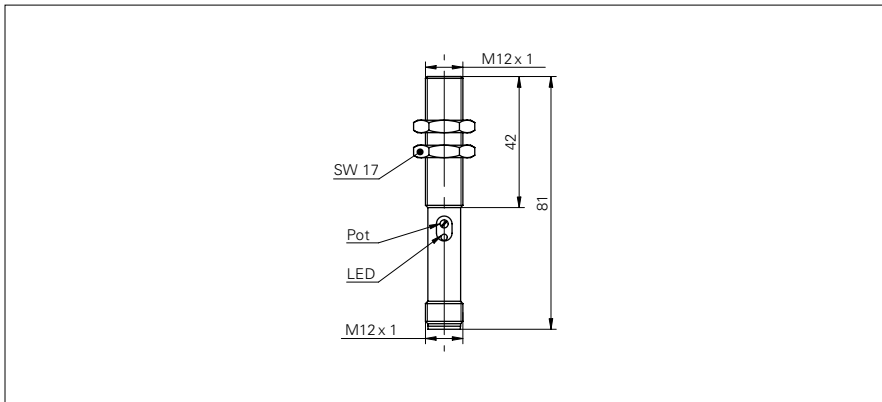


Diffuse sensors with intensity difference

FZAM 12P1104/S14

dimension drawing



general data

type	intensity difference
light source	pulsed infrared diode
sensing distance Tw	30 ... 200 mm
alignment / soiled lens indicator	flashing light indicator
light indicator	LED yellow
sensitivity adjustment	potentiometer, 270°
wave length	880 nm
suppression of reciprocal influence	yes

electrical data

response time / release time	< 1 ms
voltage supply range +Vs	10 ... 30 VDC
current consumption max. (no load)	42 mA
current consumption typ.	24 mA
voltage drop Vd	< 1,8 VDC
output function	light operate
output circuit	PNP
output current	< 200 mA
short circuit protection	yes
reverse polarity protection	yes

mechanical data

width / diameter	12 mm
height / length	80 mm
type	cylindrical threaded
housing material	brass nickel plated
front (optics)	PC
connection types	connector M12 4 pin

ambient conditions

operating temperature	-25 ... +65 °C
protection class	IP 65

photo



connection diagram

