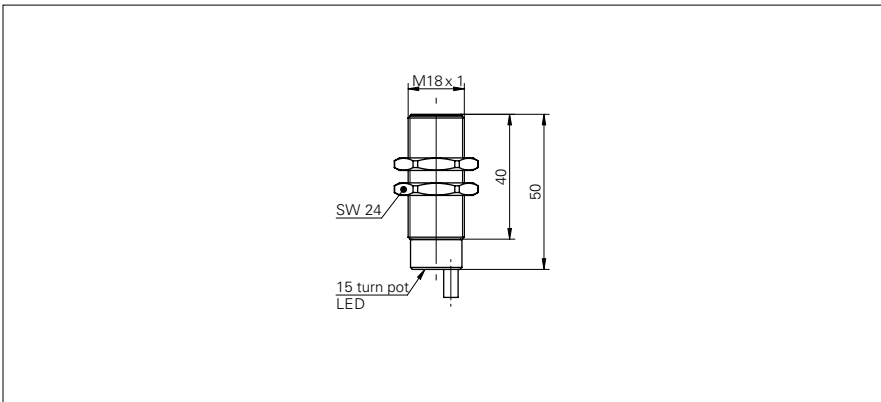


Diffuse sensors with intensity difference

FZAM 18 (mechanically adjustable, axial)

sample drawing



general data

type	intensity difference
light source	pulsed infrared diode
sensing distance Tw	20 ... 150 mm
sensing distance Tw (with doubling lense)	30 ... 280 mm
alignment / soiled lens indicator	flashing light indicator
light indicator	LED yellow
sensitivity adjustment	potentiometer, 15 turn
wave length	880 nm
suppression of reciprocal influence	yes

electrical data

response time / release time	< 0,5 ms
voltage supply range +Vs	10 ... 30 VDC
current consumption max. (no load)	45 mA
current consumption typ.	30 mA
voltage drop Vd	< 1,8 VDC
output function	light operate
output current	< 200 mA
short circuit protection	yes
reverse polarity protection	yes

mechanical data

width / diameter	18 mm
height / length	50 mm
type	cylindrical threaded
housing material	brass nickel plated / PC
front (optics)	PC
connection types	cable 3 pin, 2 m

ambient conditions

operating temperature	-25 ... +55 °C
protection class	IP 65

order reference

FZAM 18N1155	NPN
FZAM 18P1155	PNP

output circuit

sample picture

