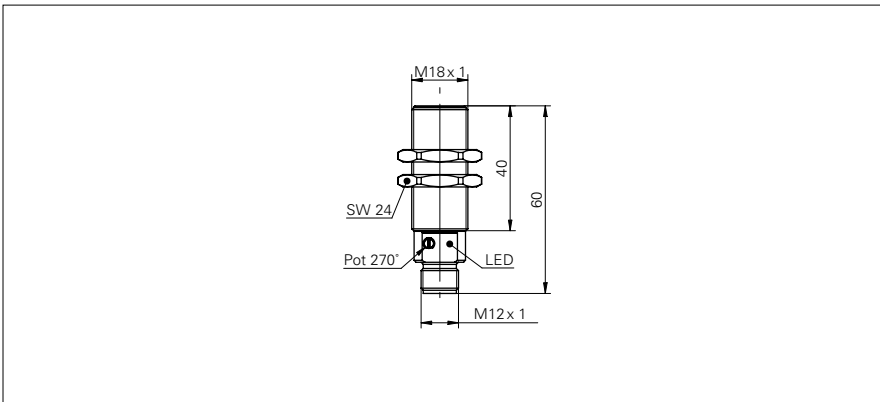


Diffuse sensors with intensity difference

FZAM 18 (mechanically adjustable, lateral)

sample drawing



general data

type	intensity difference
light source	pulsed infrared diode
sensing distance T_w	60 ... 430 mm
sensing distance T_w (with doubling lense)	80 ... 800 mm
alignment / soiled lens indicator	flashing light indicator
light indicator	LED yellow
sensitivity adjustment	potentiometer, 270°
wave length	880 nm
suppression of reciprocal influence	yes

electrical data

response time / release time	< 1 ms
voltage supply range +Vs	10 ... 30 VDC
current consumption max. (no load)	45 mA
current consumption typ.	30 mA
voltage drop Vd	< 1,8 VDC
output function	light operate
output current	< 200 mA
short circuit protection	yes
reverse polarity protection	yes

mechanical data

width / diameter	18 mm
type	cylindrical threaded
housing material	brass nickel plated / PC
front (optics)	PC

ambient conditions

operating temperature	-25 ... +55 °C
protection class	IP 67

order reference	height / length	connection types	output circuit
FZAM 18N1150	50 mm	cable 3 pin, 2 m	NPN
FZAM 18N1150/S14	60 mm	connector M12 4 pin	NPN
FZAM 18P1150	50 mm	cable 3 pin, 2 m	PNP
FZAM 18P1150/S14	60 mm	connector M12 4 pin	PNP

sample picture

