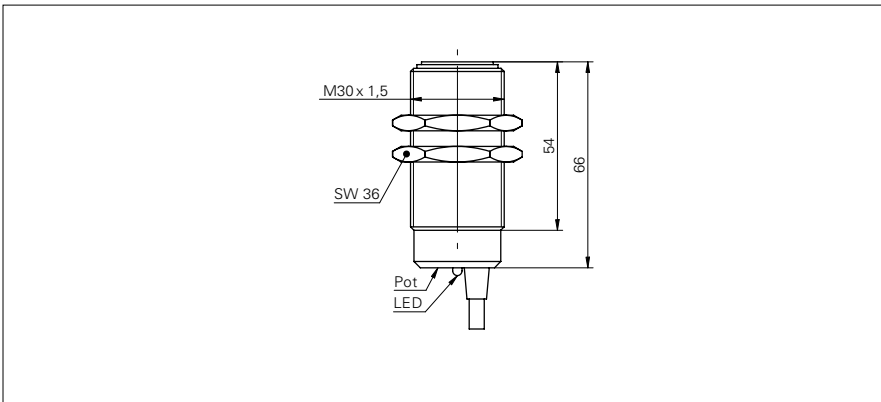


# Diffuse sensors with intensity difference

## FZAM 30

**sample drawing**



**general data**

type	intensity difference
light source	pulsed infrared diode
alignment / soiled lens indicator	flashing light indicator
light indicator	LED yellow
sensitivity adjustment	potentiometer, 15 turn
wave length	880 nm

**electrical data**

voltage supply range +Vs	10 ... 30 VDC
current consumption max. (no load)	60 mA
current consumption typ.	50 mA
voltage drop Vd	< 2,5 VDC
output function	light / dark operate
output current	< 100 mA
short circuit protection	yes
reverse polarity protection	yes

**mechanical data**

width / diameter	30 mm
height / length	66 mm
type	cylindrical threaded
housing material	brass nickel plated
front (optics)	PC
connection types	cable 4 pin, 2 m

**ambient conditions**

operating temperature	0 ... +65 °C
protection class	IP 65

order reference	sensing distance Tw	output circuit	response time / release time
<b>FZAM 30N5002</b>	300 ... 1500 mm	NPN	< 2,5 ms
<b>FZAM 30P5002</b>	300 ... 1500 mm	PNP	< 2,5 ms
<b>FZAM 30P5003</b>	100 ... 700 mm	PNP	< 0,25 ms

**sample picture**

