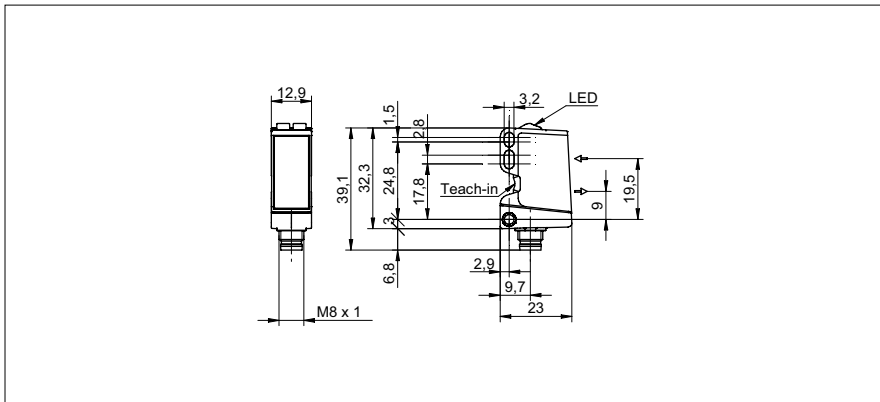


Diffuse sensors with background suppression

O300.GI

sample drawing



general data

type	background suppression
light source	pulsed infrared diode
sensing distance T_w	30 ... 300 mm
sensing range T_b	15 ... 300 mm
power on indication	LED green
light indicator	LED yellow
sensing distance adjustment	qTeach / external
wave length	860 nm
suppression of reciprocal influence	yes
alignment optical axis	< 2°

electrical data

response time / release time	< 0,49 ms
voltage supply range +Vs	10 ... 30 VDC
current consumption max. (no load)	45 mA
current consumption typ.	30 mA
voltage drop Vd	< 3 VDC
output function	light / dark operate
output circuit	push-pull
output current	< 100 mA
short circuit protection	yes
reverse polarity protection	yes

mechanical data

width / diameter	12,9 mm
height / length	32,3 mm
depth	23 mm
type	rectangular
housing material	plastic (ASA, PMMA)
front (optics)	PMMA

ambient conditions

operating temperature	-25 ... +60 °C
protection class	IP 67

order reference

O300.GI-1128081
O300.GI-1121712

connection types

cable 4 pin, 2 m
connector M8 4 pin

sample picture

