

- Signal device for the 22,5 mm control panel programme
- High protection rating IP 65

TECHNICAL SPECIFICATIONS:

Dimensions (Diameter x Depth): 52 mm x 67,1 mm
 Housing: PC/ABS, black
 Audio frequency: c. 2100 Hz
 Tone type: Continuous tone or pulse tone with approx. 1 Hz
 Current consumption: 25 mA
 Fixing: Installation mounting for ø 22,5 mm (M 22) with anti-twist device
 Connection: Connector plug with screwable connection max. 1,5 mm²

ORDER SPECIFICATIONS:

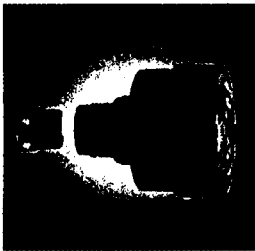
Voltage	24 V \pm	115 V \pm	230 V ~
Continuous tone	109 000 75	109 000 77	109 000 68
Pulse tone	109 010 75	109 010 77	109 010 68

ACCESSORIES:

Bracket with protective cap (IP54) 975 109 01 (see picture on page 83)
 Single surface housing 975 109 02
 Double surface housing 975 109 03
 Triple surface housing 975 109 04

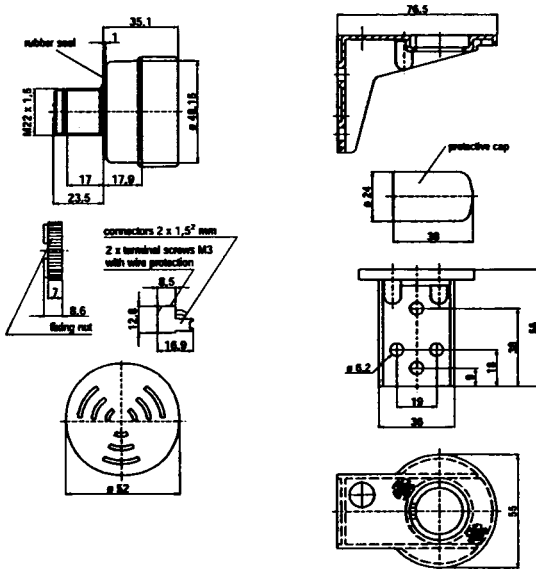
TECHNICAL DIAGRAMS

see page 108



Surface housing (accessory)

109 Electronic Installation Buzzer 109/110 Accessories



975 109 01

Bracket