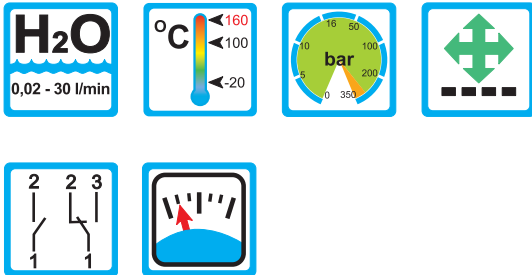


Flow Monitor Flow Indicator

RVM/UA-2



Range of Application

Operation

- Float measuring principle

Application

- Mechanical engineering
- Medicine technology
- Pharma industry
- Chemical industry
- Research and development
- Cooling systems and cooling circuits

Features

- Universal orientation
- High reliability
- High switch accuracy
- Infinitely variable switchpoint adjustment through user
- High pressure resistance
- Threaded connection, special threads on request

Installation hints

- The operating instructions for RVM/UA must be observed!
- Download: www.meister-flow.com

Operating Data

Operating pressure max.	300 bar (Brass) 350 bar (Stainless Steel)
Pressure drop	0,02 - 0,3 bar
Maximum temperature	100 °C (optional 160 °C)
Accuracy	±10 % of full scale

Measuring Ranges

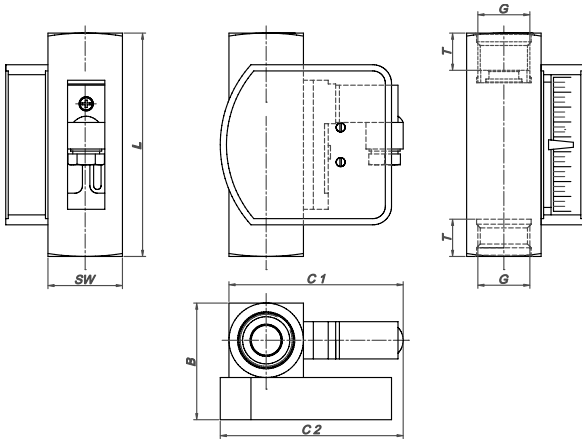
Type	Flow ranges for H ₂ O at 20 °C ⁽¹⁾		
	[l/min]	[gph]	[gpm]
RVM/UA-2/02	0,02 - 0,2	0,3 - 3,35	
RVM/UA-2/06	0,2 - 0,6	3,2 - 9,5	
RVM/UA-2/1	0,4 - 1,8	6,5 - 28,5	
RVM/UA-2/3	0,8 - 3,2	13,0 - 51,0	
RVM/UA-2/7	2 - 7	32,0 - 111,0	
RVM/UA-2/13	3 - 13	48,0 - 205,0	
RVM/UA-2/20	4 - 20	65,0 - 315,0	
RVM/UA-2/30	8 - 30	130,0 - 480,0	

⁽¹⁾ The specified data are switch-off points other switch ranges on request.

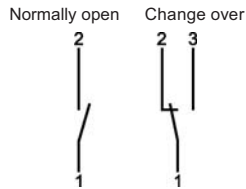


Technical Data

Mechanical drawing



Connection diagram



Electrical Data

Change over ⁽³⁾	250V • 1,5A • 50VA ⁽²⁾
Normally open	230V • 3A • 60VA
Change over M 12x1 (-20 °C - 85 °C)	125V • 1,5A • 50VA ⁽²⁾
Normally open M 12x1 (-20 °C - 85 °C)	125V • 3A • 60VA
Change over SPS ⁽³⁾	250V • 1A • 60VA

Ingress Protection:

IP65: plug connection DIN 43650 Form C or plug connection M 12x1
 IP67: 1 m sealed in cable

Output Signal

The contact opens / changes when the flow decreases below the set point.

Power supply

Not required (potentialfree reed contacts)

Plug types

Other plug types or cable lengths on request

⁽²⁾ Minimum load 3 VA

⁽³⁾ Only with plug connection

Summary of types

Type:	Overall dimensions [mm]										Weight (approx) ca. [g]
RVM/UA-	SW	D	B	G	DN	T	L	C1	C2		
2/02											
2/06											
2/1											
2/3											
2/7	30	30	47	1/2"	15	14	90	71	74	570	
2/13											
2/20											
2/30											

Material

Brass version

Wetted parts:

Spring: 1.4571
 Magnets: Hard ferrite
 Housing: Brass nickel-plated

All other wetted parts

Brass

Stainless steel version

Wetted parts:

Spring: 1.4571
 Magnets: Hard ferrite
 Housing: 1.4571

All other wetted parts

1.4571

RVM/UA-2 0001 03-10 E M

