

Flow Indicator

FRA

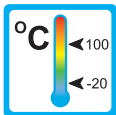
Operation

The models FRA are impeller flow indicators



Application

The flow indicators model FRA are used to indicate flow of liquid media.



Areas of application :



– Coolingsystems and cooling-circuits

– Mechanical Engineering

– Watertreatment



– Pharma industry

– Research and development

Features

The FRA series proves itself through reliable function and easy handling.

Further characteristics of this sturdy type are:

- universal orientation
- high reliability
- threaded connection

Installation hints

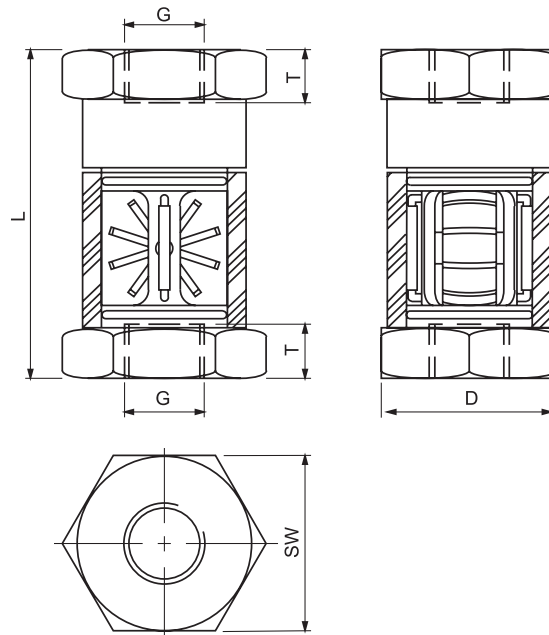
The installation of the flow indicator can be done in any way in the system. The flow direction must be observed. In case of very low flow we suggest a vertical mounting.

The flow indicator must not be used as a supporting part in a pipe construction!

The medium must not contain any solid particles! We recommend the installation of strainers type SFD or type SFM.



Technical Data



Summary of types FRA

Type	Flowrate min. H ₂ O [l/min]	Flowrate max. H ₂ O [l/min]	Overall dimensions mm					Weight approx. [g]
			G	SW	D	T	L	
FRA-8	0,7	4	1/4"	36	30	12	71	300
FRA-10	0,8	8	3/8"	36	30	14	75	300
FRA-15	1,4	12	1/2"	46	40	14	86	600
FRA-20	1,4	25	3/4"	46	40	16	95	600
FRA-25	1,7	40	1"	46	40	18	105	600
FRA-32	8,0	80	1 1/4"	70	65	20	120	1500
FRA-40	8,0	100	1 1/2"	70	65	22	130	1600

Operating data	FRA	
Operating pressure max.:	PN 16 bar	
Operating temperature max.:	100 °C	
Pressure drop:	0,25 bar	
Material	Brass	Stainless Steel
Body:	Brass nickel-plated	1.4305
Rotor (DN 8 to DN 25):	POM red	POM red
Rotor (DN 32 to DN 40):	Nylon white	Nylon white
Wiper:	NBR	Viton
Gaskets:	NBR	Viton

FRA.2.0003 11-10 E.M