

Impeller Flowmeter

DIGA-2 DIGA-4



Function

The flowmeters type DIGA-2 and DIGA-4 are impeller flowmeters.

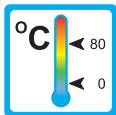


Application

The impeller flowmeters type DIGA-2 and DIGA-4 are employed to measure volume flow of liquids.

Areas of application:

- Mechanical Engineering
- Pharmaceutical Industry
- Chemical Industry
- Research and Development



Features

The series proves itself through reliable function and easy handling. Further characteristics of this type are:

- Universal mounting
- High accuracy
- Analog output (4 - 20 mA)
- High chemical resistance (ECTFE-Version)
- Threaded connection

Installation hints

The installation of the flowmeter can be done in any way in the system. The optimum deaeration will be achieved with vertical mounting. The flow direction must be observed.

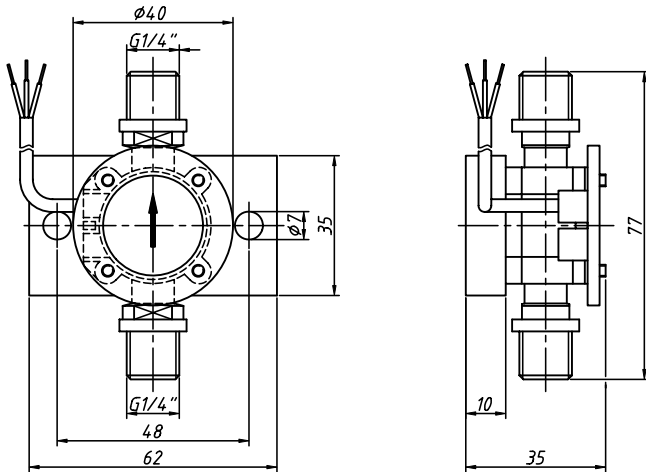
The flowmeter must not be used as a supporting part in a pipe construction.

The liquid must not contain any solids particles.

External magnetic fields influence the measurement. Keep sufficient distance to magnetic fields (e.g. electromotors).

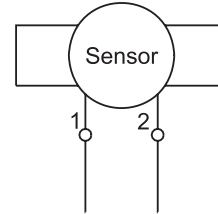


Ranges, Technical data



Connection diagram

- 1: 4 - 20 mA, white
- 2: 4 - 20 mA, brown



Operating data	DIGA-2	DIGA-4
Flow range (H ₂ O at 22 °C):	1,5 - 100 l/h	6 - 250 l/h
Sensing principle:	inductive, touchless	
Viscosity range:	1 - 10 cSt	
Accuracy:	± 2 % f.s.d. (at same operating conditions)	
Repeatability:	< ± 0,8 % f.s.d. (at same operating conditions)	
Max. operating pressure:	10 bar	
Burst pressure (at 22 °C):	>15 bar	
Operating temperature:	0 °C to +80 °C	
Ingress protection:	IP65	
Output signal:	4 - 20 mA (The limiting values for 4 and 20 mA are adjustable by means of a magnetic pin)	
Power supply:	10 - 24 VDC (see example „Operating circuit“)	
Connection cable (1,9 m):	Round cable 2 x 0,14 mm ² LIYY	

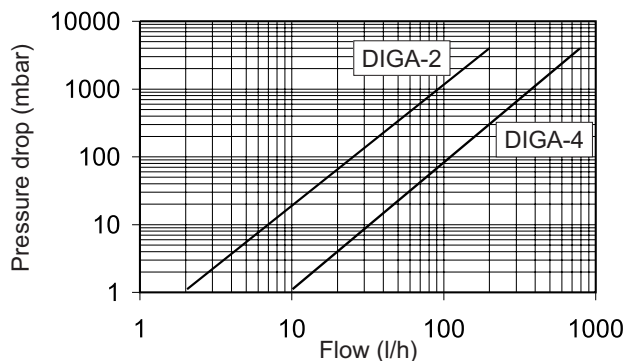
Materials	POM-Version	ECTFE-Version
Housing:	POM	ECTFE
Impeller:	POM	ECTFE
Bearing (spigot bearing)		
for DIGA-2 (axle / bearing):	Corepoint® / POM	Saphir / Rubin
for DIGA-4 (axle / bearing):	Corepoint® / POM	Saphir / Rubin
Magnets:	sinter ceramic	ECTFE-encapsulated
O-Rings:	FKM or EPDM *	FKM or EPDM *
Weight:	approx. 45 g	approx. 50 g
Process connection:	G 1/4"	G 1/4" or 5/8" UNF

* FKM: green colourcode

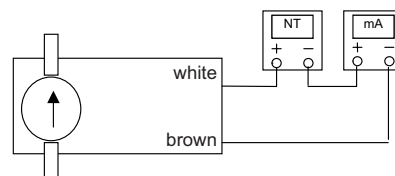
EPDM: black colourcode

KALREZ (optional): white colourcode

Pressure drop diagram



Operating circuit (example)



DIGA-2/4 2 0003 04-07 E M