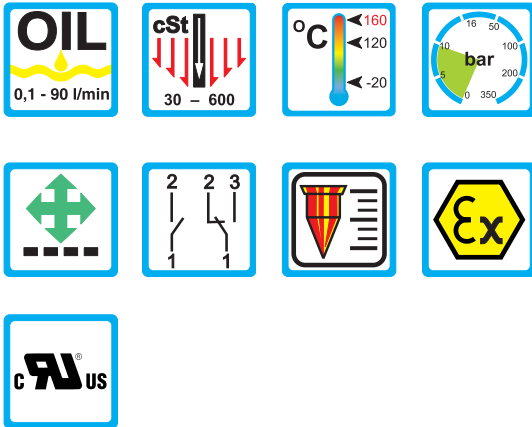


Flow Monitor Flow Indicator

DKG-1



Range of Applications

Operation

- Float measuring principle

Application

- Central lubrication
- Circulation lubrication
- Transformers

Features

- Universal orientation
- Viscosity compensated
- High switch accuracy
- Infinitely variable switchpoint adjustment through user
- EX-version to ATEX available
- Scales are burned into the sight glass
- Threaded connection, special threads on request

Installation hints

- The operating instruction for DKG must be observed!
- Download: www.meister-flow.com

Operating Data

Operating pressure max.	10 bar
Pressure drop	0,02 - 0,4 bar
Viscosity range	30 cSt to 600 cSt
Maximum temperature	120 °C (optional 160 °C)
Accuracy	±10 % of full scale

Measuring Ranges

Type	Switch range for oil, density 0,9 kg/dm ³ (1)		
	[l/min]	[gph]	[gpm]
DKG-1/1 ⁽²⁾	0,1 - 0,8	1,6 - 12,7	
DKG-1/2	0,5 - 1,5	8,0 - 24,0	
DKG-1/4	1 - 4	16,0 - 63,0	
DKG-1/8	2 - 8	32,0 - 127,0	
DKG-1/10	3 - 10	48,0 - 159,0	
DKG-1/15	5 - 15	80,0 - 240,0	
DKG-1/24	8 - 24	125,0 - 380,0	
DKG-1/30	10 - 30	160,0 - 475,0	
DKG-1/45	15 - 45	240,0 - 710,0	
DKG-1/60	20 - 60	320,0 - 950,0	
DKG-1/90	30 - 90		8,0 - 24,0

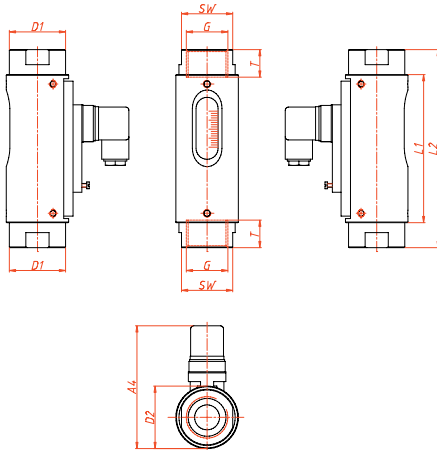
(1) The specified data are switch-off points
other switch ranges on request

(2) Up to 400 cSt

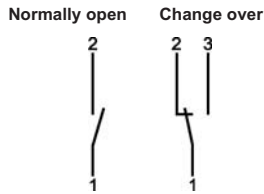


Technical Data

Mechanical drawing



Connection diagram



Electrical Data

Change over 250V • 1,5A • 50VA ⁽²⁾

Normally open 250V • 3A • 100VA

ATEX II 2 G Ex mb II T6 & ATEX II 2 D Ex tD A21 IP67 T80 °C

ATEX II 2 G Ex mb II T5 & ATEX II 2 D Ex tD A21 IP67 T100 °C

Change over 250V • 1A • 30VA

Normally open 250V • 2A • 60VA

Change over M 12x1 (-20 °C - 85°C) 250V • 1,5A • 50VA ⁽²⁾

Normally open M 12x1 (-20 °C - 85 °C) 250V • 3A • 100VA

Change over SPS 250V • 1A • 60VA

Ingress Protection:

IP65: plug connection DIN 43650 Form A

IP67: 1 m sealed in cable, (with EEx-version 2 m)

or plug connection M 12x1

Output signal

The contact opens / changes when the flow decreases below the set point.

Power supply

Not required (potential free reed contacts)

Plug types

Other plug types oder cable lengths on request

⁽²⁾ Minimum load 3 VA

Summary of types

Type:	Overall dimensions [mm]						Overall dimensions [mm]						Weight approx. [g]
	SW	L1	L2	D1	G	T	D2	DN	A1	A2	A3	A4	
DKG-1/1			144,5		1/4"	10		8					
DKG-1/2	41	118,5	144,5	45	1/2"	14	50	15	-	-	-	approx. 99	850
DKG-1/4			138,5		3/4"	15		20					
DKG-1/8			158,5		1"	17		25					
DKG-1/10	41	118,5	144,5	45	1/2"	14	50	15	-	-	-	approx. 99	850
DKG-1/15			138,5		3/4"	15		20					
DKG-1/24			158,5		1"	17		25					
DKG-1/30													
DKG-1/45	41	118,5	138,5	45	3/4"	15	50	20	-	-	-	approx. 99	850
DKG-1/60			158,5		1"	17		25					
DKG-1/90													

Material

Brass version

Wetted parts:

Sight glass:

Spring:

Gaskets:

Duran 50
1.4571
FKM
(optional NBR, EPDM) ⁽³⁾

Magnets:

Hard ferrite

all other wetted parts: Brass nickel-plated

Non wetted parts:

Housing:

Aluminium anodized

Stainless steel version

Wetted parts:

Sight glass:

Spring:

Gaskets:

Duran 50
1.4571
FKM
(optional NBR, EPDM) ⁽³⁾

Magnets:

Hard ferrite

all other wetted parts: 1.4571

Non wetted parts:

Housing:

Aluminium anodized

⁽³⁾ Other gasket materials on request