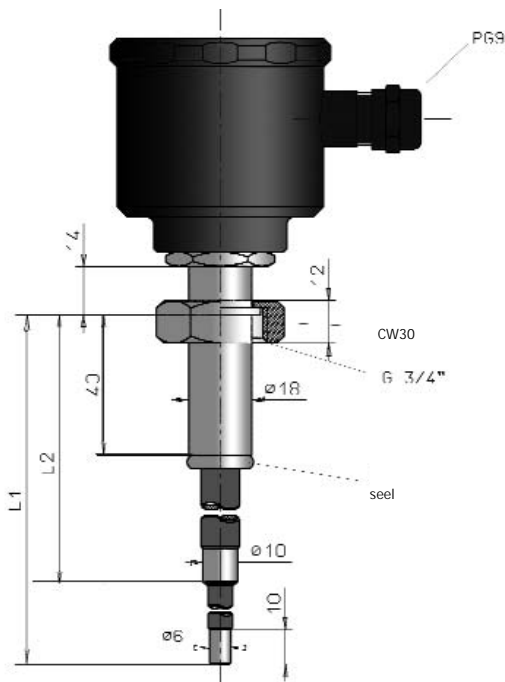




## Coaxial probe ELT (rod-in-rod-probe)

with process connection in steel  
for hygienic applications



## Applications

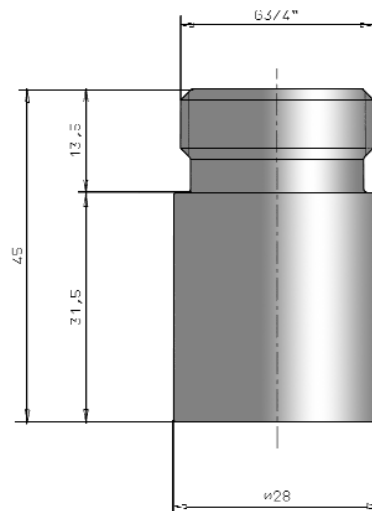
The probe ELT is used in combination with a suitable evaluation device for limit value detection or level controlling.

The probe type ELT is constructed coaxial, what means, that with one rod, including the container wall, more switching levels could be realized.

Different hygienic process connections are available.  
Application example: limit value or foam detection in train tanking plants

## Weld in sleeve

Weld in sleeve type TUM-34  
fitting for process connection T34



## Technical data

Process pressure max.: 20 bar  
 Medium temperature: -20 °C...+100 °C  
 Protection classification: IP65  
 Material connection housing: POM polyacetale (Delrin®), PP polypropylene, steel 1.4404 (AISI 316L)  
 Material process connection: steel 1.4571 (AISI 316Ti)  
 Material rod: steel 1.4404 (AISI 316L)  
 Material rod isolation: PTFE polytetrafluorethylene (Halar®)

1 one rod probe

### Process connection

D 25 milk tube connection acc. to DIN 11851  
 D 40 milk tube connection acc. to DIN 11851  
 D 50 milk tube connection acc. to DIN 11851  
 T 34 weld in sleeve 3/4 inch with O-Ring-Gasket  
 S 00 other process connections

### Material rod

A steel 1.4404 (AISI 316L)

### Material connection housing

D POM polyacetale (Delrin®)  
 V steel 1.4404 (AISI 316L) - large  
 M PP polypropylene - large (standard)

### Material rod isolation

H PTFE polytetrafluorethylene (Halar®)

### Diameter rod

Z 10mm

Length L1 rod in mm

Length L2 rod in mm

order code

ELT										mm	mm
-----	--	--	--	--	--	--	--	--	--	----	----