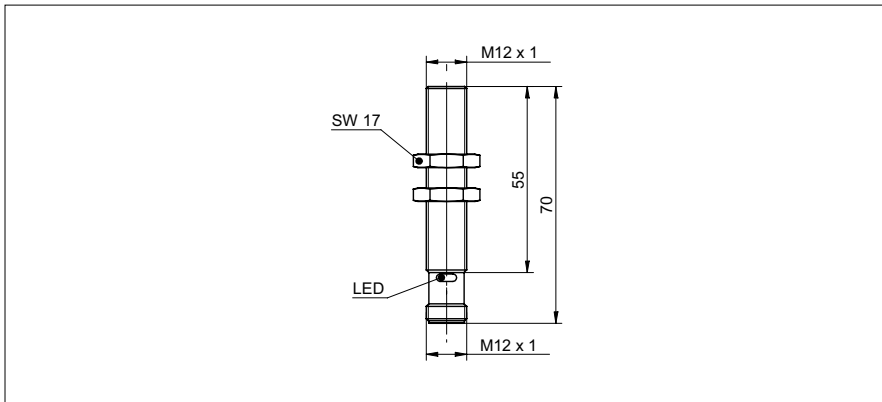


Ultrasonic retro-reflective sensors

URAM 12N8910/S140

dimension drawing



general data

special type	Highspeed
scanning range Sd	0 ... 70 mm
reflector position Sde	40 ... 70 mm
adjusting range reflector (operating range)	± 2,5 % Sde
adjusting range reflector (limit range)	± 5 % Sde
repeat accuracy	< 1,5 mm
temperature drift	< 2 % Sde
response time ton	< 1,5 ms
release time toff	< 1,5 ms
switching frequency	< 200 Hz
sonic frequency	380 kHz
adjustment	external Teach-in
alignment aid	target indication flashing
output indicator	LED green

electrical data

voltage supply range +Vs	12 ... 30 VDC
current consumption max. (no load)	35 mA
output circuit	NPN make function (NO) / break function (NC)
output current	< 200 mA
voltage drop Vd	< 2 VDC
residual ripple	< 10 % Vs
short circuit protection	yes
reverse polarity protection	yes

mechanical data

type	cylindrical threaded
housing material	brass nickel plated
width / diameter	12 mm
height / length	70 mm
connection types	connector M12

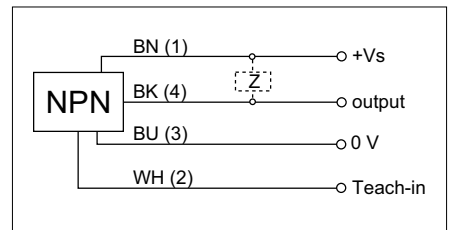
ambient conditions

operating temperature	-10 ... +60 °C
protection class	IP 67

photo



connection diagram



- external Teach-in
- miniature housing
- response-/release time ± 0,8 ms
- switching frequency: acc. EN 60947-5-2
- NO/NC, programmable

Ultrasonic retro-reflective sensors

URAM 12N8910/S140

typical sonic cone profile

