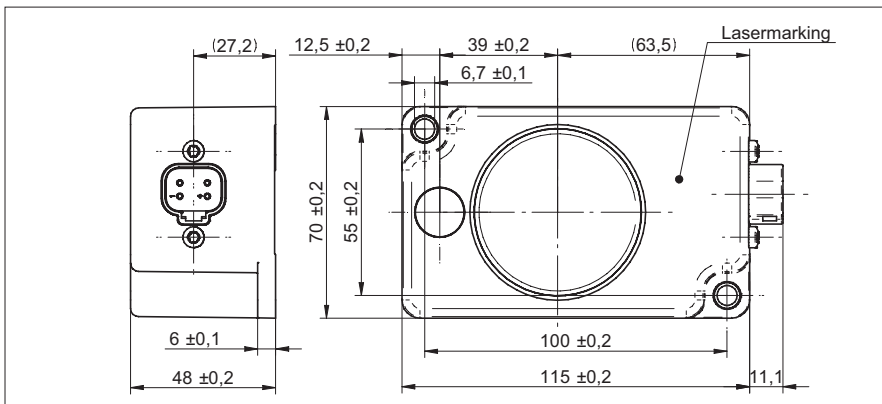


Ultrasonic proximity sensor

U750.DB5-11171931

Mat.-No.: 11171931

dimension drawing

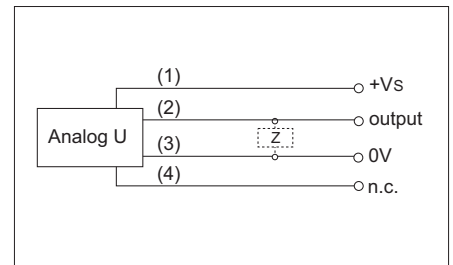


- for fill level application
- very small blind range

general data

sensing range sd	100 ... 2300 mm
repeatability	< 5 mm (product-target)
resolution	< 1 mm (product-target)
response time ton	< 3 s
release time toff	< 3 s
temperature drift	< 2 % of distance to target So
sonic frequency	230 kHz / 80 kHz
approvals / certificate	EN 60947-5-2:2007+A1, Sec. 8.6 / EN 60947-5-7:2003, Sec.8.6 EN ISO 14982:2009 ISO 13766:2006 ¹⁾ EN 13309:2010

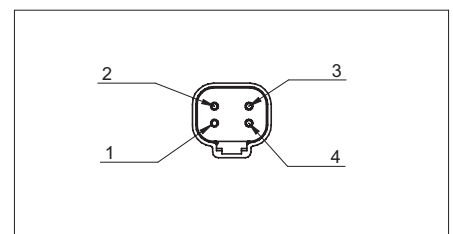
connection diagram



electrical data

voltage supply range +Vs	4,8 ... 5,2 VDC
current consumption (no load)	< 120 mA (averaged)
output circuit	voltage output
output signal	0,5 ... 4,5 V
load resistance	> 1,5 kΩ
short circuit protection	yes (GND / +Vs)
reverse polarity protection	no

pin assignment



- 1) Shall not be used for functions that do control machine movement

mechanical data

type	cube with mounting holes M6
housing material	PA 10T/X
width / diameter	70 mm
height	48 mm
depth	115 mm
connection types	connector DEUTSCH DT13-4P

ambient conditions

operating temperature	-20 ... +70 °C
storage temperature	-40 ... +85 °C
protection class	IP 67