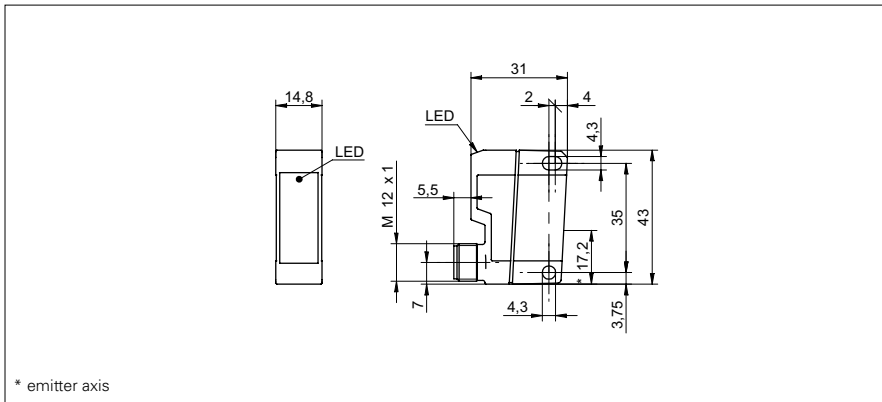


Retro-reflective sensors

FDPK 14P5101/S14

dimension drawing



general data

type	retro-reflective sensor
light source	pulsed red LED
actual range S_b	7 m
nominal range S_n	7,2 m
polarization filter	yes
alignment / soiled lens indicator	flashing light indicator
light indicator	LED yellow
sensitivity adjustment	no
wave length	660 nm
suppression of reciprocal influence	yes

electrical data

response time / release time	< 1 ms
voltage supply range +Vs	10 ... 30 VDC
current consumption max. (no load)	25 mA
current consumption typ.	20 mA
voltage drop V_d	< 1,8 VDC
output function	light / dark operate
output circuit	PNP
output current	< 100 mA
short circuit protection	yes
reverse polarity protection	yes

mechanical data

width / diameter	14,8 mm
height / length	43 mm
depth	31 mm
type	rectangular
housing material	plastic (ASA, MABS)
front (optics)	PMMA
connection types	connector M12 4 pin

ambient conditions

operating temperature	-25 ... +65 °C
protection class	IP 67

photo



connection diagram

