

Diffuse sensors with background suppression

O300.GL-11199070

dimension drawing



general data

type	background suppression
version	line beam
light source	pulsed red laser diode
sensing distance Tw	30 ... 120 mm
sensing range Tb	15 ... 120 mm
power on indication	LED green
light indicator	LED yellow
sensing distance adjustment	Teach-in and IO-Link
laser class	1
distance to focus	80 mm
wave length	656 nm
suppression of reciprocal influence	yes
beam type	line
alignment optical axis	< 2°

electrical data

response time / release time	< 1,5 ms
voltage supply range +Vs	11 ... 30 VDC
current consumption max. (no load)	30 mA
current consumption typ.	25 mA
voltage drop Vd	< 2,5 VDC
output function	light / dark operate
output circuit	push-pull
output current	< 100 mA
short circuit protection	yes
reverse polarity protection	yes

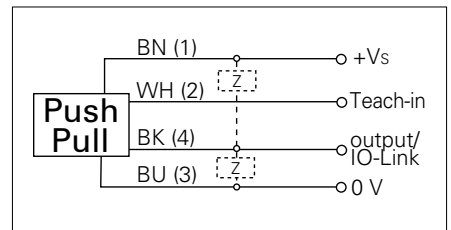
mechanical data

width / diameter	12,9 mm
height / length	32,3 mm
depth	23 mm
type	rectangular
housing material	plastic (ASA, PMMA)
front (optics)	PMMA
connection types	cable 4 pin, 2 m

photo



connection diagram



laser warning

CLASS 1 LASER PRODUCT

IEC 60825-1/2014
Complies with 21 CFR 1040.10 and 1040.11
except for deviations pursuant to laser
notice No. 50, dated June 24, 2007



Diffuse sensors with background suppression

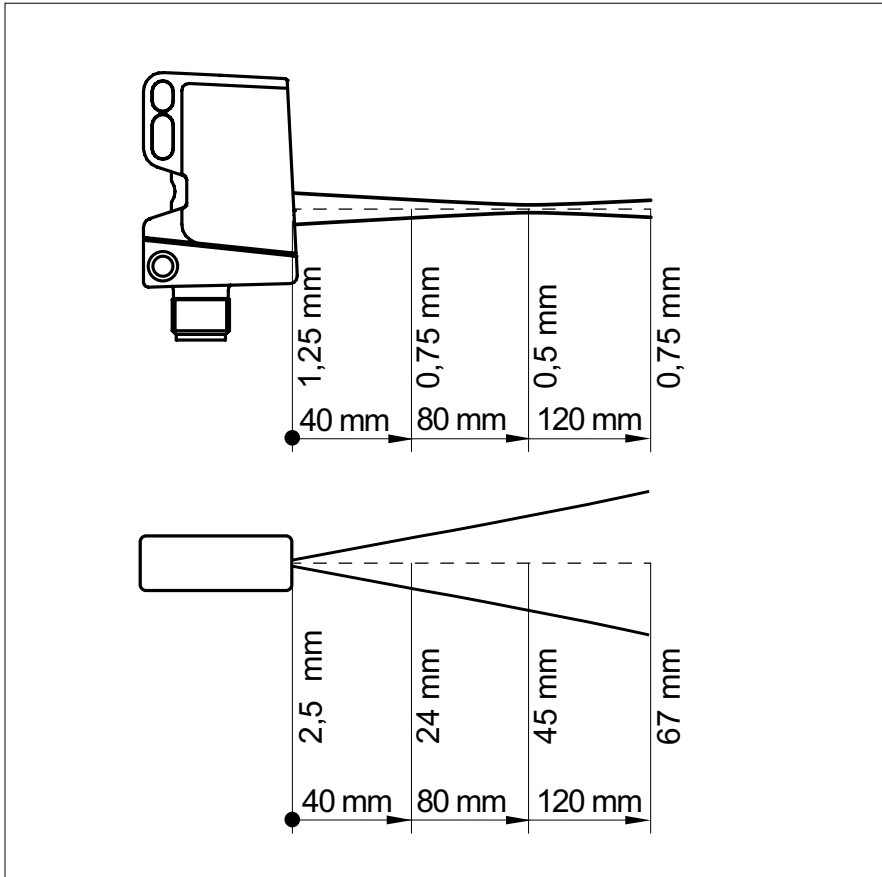
O300.GL-11199070

ambient conditions

operating temperature	-10 ... +60 °C
protection class	IP 67

- qTeach
- IO-Link: V1.1, filter functions, qTeach lock adjustable

beam characteristic (typically)



sensing distance diagram

