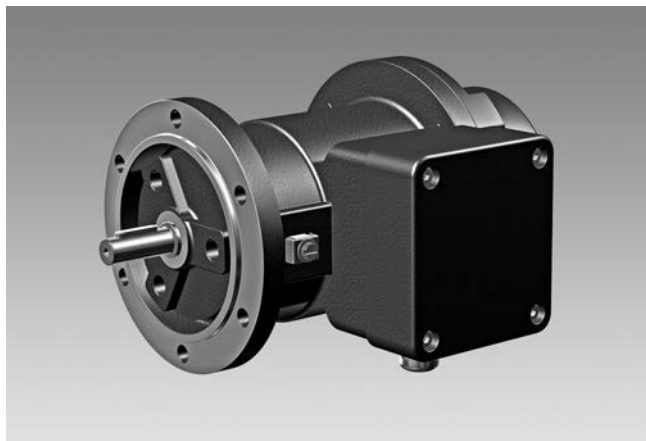


Tachogenerators

Ex approval ATEX II 2 G Ex db eb IIC T6 Gb

Solid shaft $\varnothing 11$ mm with EURO flange B10

EExGP 0,2



EExGP 0,2

Features

- Tachogenerator / ATEX
- Ex-approved by ATEX II 2 G Ex db eb IIC T6 Gb
- Low response time
- Open circuit voltage 20...150 mV per rpm
- Solid shaft $\varnothing 11$ mm
- EURO flange B10
- High signal quality due to patented LongLife technology
- Recognition of sense of rotation

Technical data - electrical ratings

Reversal tolerance	≤ 0.1 %
Linearity tolerance	≤ 0.15 %
Temperature coefficient	± 0.06 %/K (open-circuit)
Isolation class	B
Calibration tolerance	± 5 %
Climatic test	Humid heat, constant (IEC 60068-2-3, Ca)
Performance	12 W (speed ≥ 5000 rpm)
Armature-circuit time-constant	< 150 μ s
Open-circuit voltage	20...150 mV per rpm
Interference immunity	EN 61000-6-2
Emitted interference	EN 61000-6-3
Approvals	CE, ATEX

Technical data - mechanical design

Size (flange)	$\varnothing 115$ mm
Shaft type	$\varnothing 11$ mm solid shaft
Protection DIN EN 60529	IP 54 (T6)
Torque	1.5 Ncm
Rotor moment of inertia	1.15 kgcm ²
Admitted shaft load	≤ 60 N axial ≤ 80 N radial
Materials	Aluminium die cast alloy Shaft: stainless steel
Ambient temperature	-20...+55 °C
Resistance	IEC 60068-2-6 Vibration 10 g, 10-2000 Hz IEC 60068-2-27 Shock 300 g, 6 ms
Corrosion protection	IEC 60068-2-52 Salt mist for ambient conditions C4 according to ISO 12944-2
Explosion protection	II 2 G Ex db eb IIC T6 Gb (gas)
Weight approx.	3.8 kg
Connection	Screw terminal connector

Tachogenerators

Ex approval ATEX II 2 G Ex db eb IIC T6 Gb

Solid shaft ø11 mm with EURO flange B10

EExGP 0,2

Part number

EExGP0,2 L-

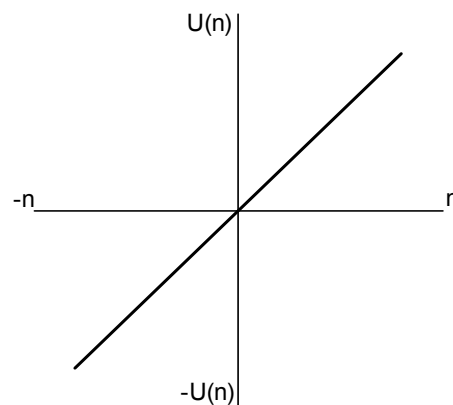
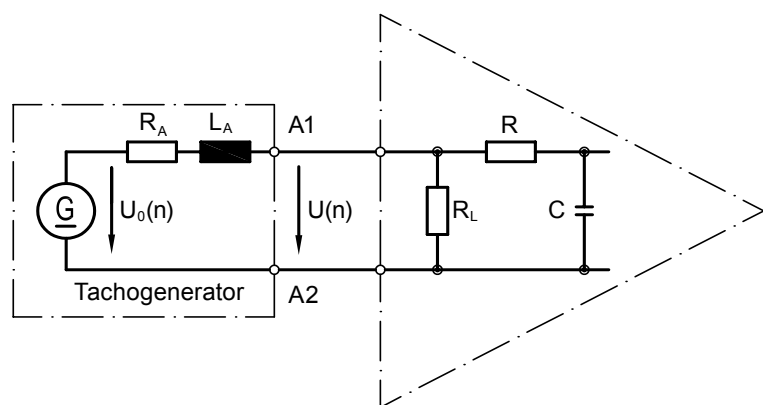
- Open-circuit voltage
- 14 20 mV per rpm
 - 5 40 mV per rpm
 - 4 60 mV per rpm
 - 3 100 mV per rpm
 - 1 150 mV per rpm

Data according to type

Type	Voltage (DC)	At current	Minimum load required depending on speed range [rpm]			Maximum operating speed	Armature resistance	Armature inductance
			0-3000	0-6000	0-n _{max}			
	U ₀ [mV/rpm]	I [mA]	R _L [kΩ]	R _L [kΩ]	R _L [kΩ]	n _{max} [rpm]	R _A (20°C) [Ω]	L _A [mH]
EExGP0,2 L-14	20	open-circuit	≥0.3	≥1.2	≥2.2	8000	9.2	45
EExGP0,2 L-5	40	open-circuit	≥1.2	≥4.8	≥8.6	8000	38	170
EExGP0,2 L-4	60	open-circuit	≥2.7	≥11	≥15	7000	86	390
EExGP0,2 L-3	100	open-circuit	≥7.5	–	≥15	4200	235	1080
EExGP0,2 L-1	150	open-circuit	–	–	≥16	2800	575	2420

Superimposed ripple (for τ_{RC} = 0.7 ms): ≤0.6% (peak-peak) ≤0.2% (rms)

Replacement switching diagram



$$\tau_{RC} \approx R \cdot C \quad \tau_A \approx \frac{L_A}{R_L}$$

$$U(n) = U_0(n) \frac{R_L}{R_A + R_L} \approx U_0(n) \text{ for } R > R_L \gg R_A$$

Polarity for positive rotating direction: A1: + A2: - (VDE)

Tachogenerators

Ex approval ATEX II 2 G Ex db eb IIC T6 Gb

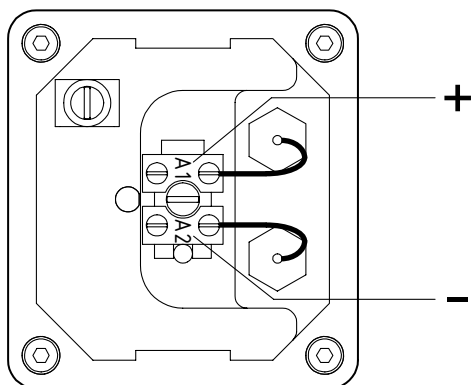
Solid shaft $\varnothing 11$ mm with EURO flange B10

EExGP 0,2

Terminal assignment

View A - Connecting terminal

Polarity for positive rotating direction

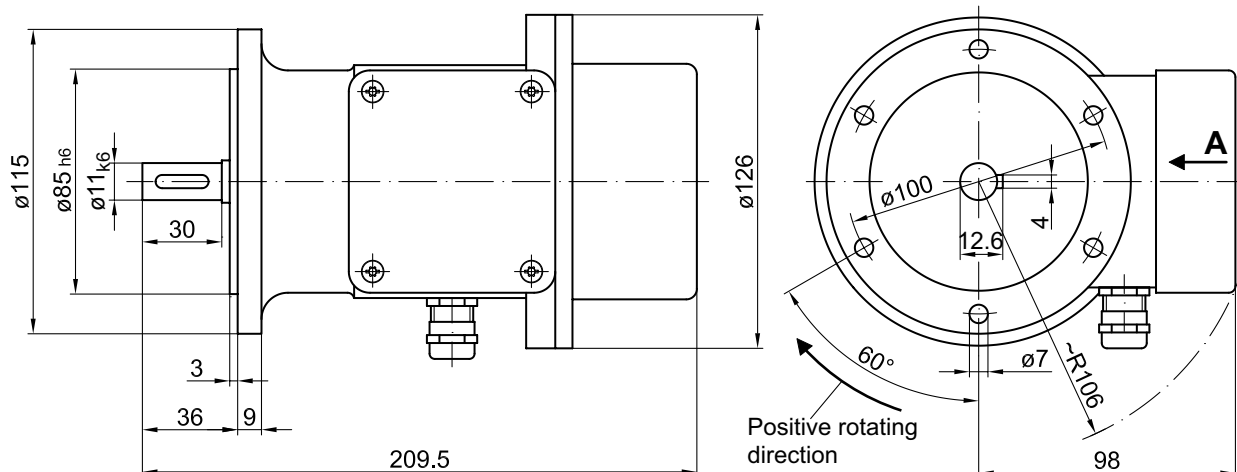


Accessories

Mounting accessories

K 35	Spring washer coupling for solid shaft $\varnothing 6...12$ mm
K 50	Spring washer coupling for solid shaft $\varnothing 11...16$ mm
K 60	Spring washer coupling for solid shaft $\varnothing 11...22$ mm

Dimensions



Tachogenerators

Ex approval ATEX II 2 G Ex db eb IIC T6 Gb

Solid shaft $\varnothing 11$ mm with EURO flange B10

EExGP 0,2
