



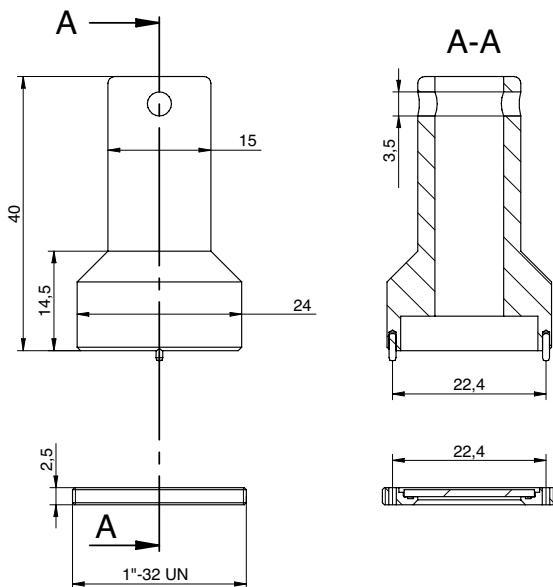
features

- IR - blocking filter, C-mount
- screwable into C-mount housing (independent from lens)
- set with screw-in tool

mechanical data

height	2,5 mm
filter thread	1"-32 UN

dimension drawing



schematic diagram

