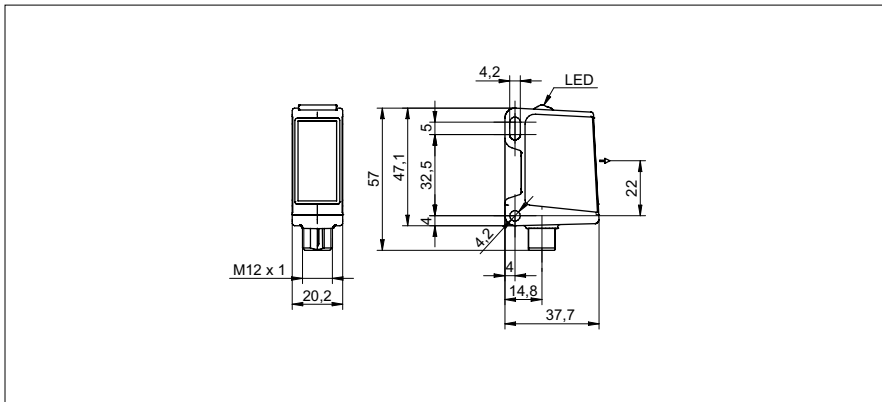


Through beam sensors

O500W.TR-11167302

dimension drawing



general data

type	through beam sensor
special type	Washdown design
emitter / receiver	emitter
light source	pulsed red LED
actual range Sb	25 m
nominal range Sn	40 m
power on indication	LED green
wave length	645 nm
alignment optical axis	< 1°
approvals/certificates	Ecolab

electrical data

response time / release time	< 0,49 ms
voltage supply range +Vs	10 ... 30 VDC
current consumption max. (no load)	40 mA
current consumption typ.	30 mA
reverse polarity protection	yes

mechanical data

width / diameter	20,2 mm
height / length	47,2 mm
depth	37,7 mm
type	rectangular
housing material	stainless steel 1.4404 (V4A)
front (optics)	PMMA
connection types	connector M12 4 pin

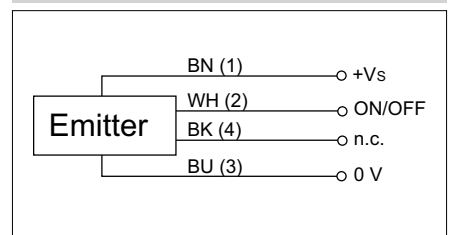
ambient conditions

operating temperature	-25 ... +60 °C
protection class	IP 68/69K & proTect+

photo



connection diagram



proTect⁺

