

**overview**

- 2448 × 2048 px
- Sony IMX250
- 2/3" CMOS
- 163 fps
- 10 GigE
- available



**technical data**

**sensor information**

sensor	Sony IMX250
resolution	2448 × 2048 px
exposure time	0,001 ... 60000 ms
pixel size	3.45 × 3.45 µm
shutter type	Global shutter
sensor type	2/3" CMOS

**acquisition formats**

image formats, interface frame rate max.	Full Frame, 2448 × 2048 px, max. 163 fps Binning 2×2, 1224 × 1024 px, max. 163 fps Binning 2×1, 1224 × 2048 px, max. 163 fps Binning 1×2, 2448 × 1024 px, max. 163 fps
image formats, acquisition frame rate max. (Burst Mode)	Full Frame, 2448 × 2048 px, max. 163 fps
pixel formats	Mono8 Mono10 Mono12 Mono12 Packed

**image preprocessing**

analog controls	Gain (0 ... 48 dB) Offset (0 ... 255 LSB 12 Bit)
color models	Mono

**camera features**

synchronization	free running trigger
trigger sources	Hardware software ActionCommand
trigger delay	0 ... 2 sec, tracking and buffering of up to 256 trigger signals
internal image buffer	1024 MB 193 images (Trigger Mode) 1 image (Free Running Mode)

**interfaces and connectors**

data interface	10 Gigabit Ethernet, Transfer rate 10000 Mbits/sec, Gigabit Ethernet, Transfer rate 1000 Mbits/sec, Fast Ethernet, Transfer rate 100 Mbits/sec, Connector: M12 / 8-pol x-coded (SACC-CI-M12FS-8CON-L180-10G)
process interface	M12 / 12 pins a-coded (SACC-CI-M12MS-12CON-L180)
power supply	via M12/12 pins a-coded

**mechanical data**

lens mount	C-mount
width	60 mm
height	60 mm
depth	99,7 mm
weight	≤ 485 g
material	aluminum

# VLXT-50M.I

Gigabit Ethernet, 5,0 Megapixel, Monochrome

Article number: 11192927

## technical data

### electrical data

voltage supply range +Vs	12 ... 24 V DC (external power supply)
power consumption	approx. 10,1 W @ 12 VDC and 163 fps

### non-volatile memory

flash memory size	128 kB
-------------------	--------

### environmental conditions

operating temperature	0 ... +65 ° @ T = measurement point
humidity	10 ... 90 % (non-condensing)
protection class	IP 40 IP 54 (with mounted tube and cable) IP 65 (with mounted tube and cable) IP 67 (with mounted tube and cable)

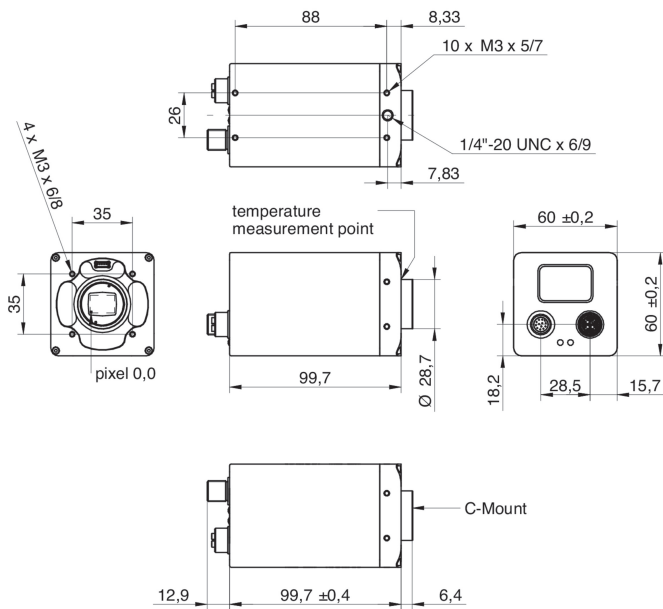
### digital I/Os

lines	2 input lines 4 output lines with pulse width modulation (PWM) (max. 48 V / max. 2,5 A) RS232
-------	---

### conformity

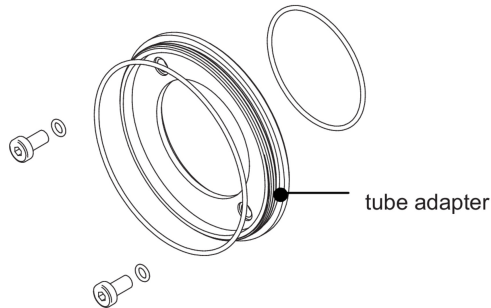
conformity	CE RoHS EAC
------------	-------------------

## dimension drawing



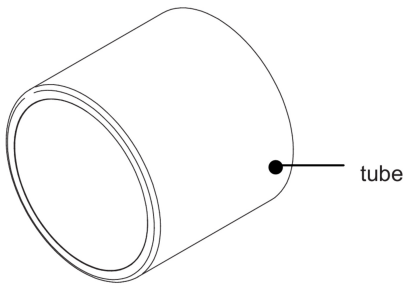
**Principle**

Optional accessories for protection class IP65/67:



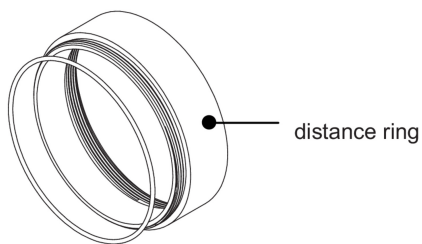
tube adapter

- Ø 49,5 mm, hard-anodized, incl. sealing and screws (VCXG.I 11185373)
- Ø 65 mm, hard-anodized, incl. sealing and screws (VCXG.I 11185377; VLXT 11193125)



tube

- Ø 49,5 mm, length 44 mm, hard-anodized, cover glass PMMA (11185370)
- Ø 65 mm, length 58 mm, hard-anodized, cover glass PMMA (11185374)
- Ø 49,5 mm, length 44 mm, hard-anodized, tempered laminated safety glass (11195425)
- Ø 65 mm, length 58 mm, hard-anodized, tempered laminated safety glass (11195426)



distance ring

- Ø 49,5 mm, length 12 mm, hard-anodized, incl. sealing (11185371)
- Ø 49,5 mm, length 6 mm, hard-anodized, incl. sealing (11185372)
- Ø 65 mm, length 12 mm, hard-anodized, incl. sealing (11185375)
- Ø 65 mm, length 6 mm, hard-anodized, incl. sealing (11185376)
- Ø 65 mm, length 36 mm, hard-anodized, incl. sealing (111988906)