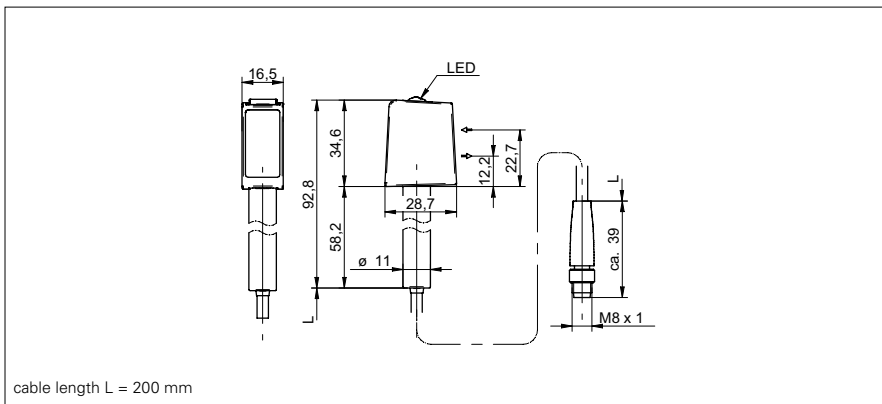


SmartReflect Light barriers

O300H.SL-11179008

dimension drawing



general data

type	light barrier
special type	hygienic design
version	standard object detection
light source	pulsed red laser diode
background position Sde	30 ... 250 mm
scanning range Sa	90% ... 85% Sde
repeat accuracy	< 0,1 mm at 100 mm
power on indication	LED green
light indicator	LED yellow
sensing distance adjustment	Teach-in and IO-Link
laser class	1
distance to focus	400 mm
wave length	656 nm
suppression of reciprocal influence	yes
alignment optical axis	< 2°
approvals/certificates	Ecolab

electrical data

response time / release time	< 0,25 ms
voltage supply range +Vs	11 ... 30 VDC
current consumption max. (no load)	30 mA
current consumption typ.	25 mA
voltage drop Vd	< 2,5 VDC
output function	light / dark operate
output circuit	push-pull
output current	< 100 mA
short circuit protection	yes
reverse polarity protection	yes

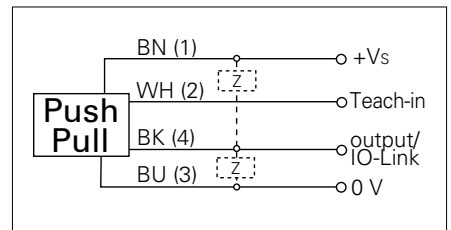
mechanical data

width / diameter	16,5 mm
height / length	34,6 mm
depth	28,7 mm
type	rectangular
housing material	stainless steel 1.4404 (V4A)
front (optics)	PMMA
connection types	fylead connector M8, L=200 mm

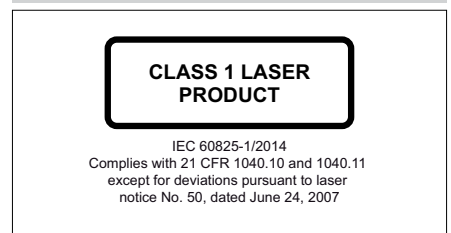
photo



connection diagram



laser warning



SmartReflect Light barriers

O300H.SL-11179008

ambient conditions

operating temperature	-10 ... +60 °C
protection class	IP 68/69K & proTect+

- magnetic Teach
- IO-Link: V1.1, filter functions, qTeach lock adjustable

beam characteristic (typically)

