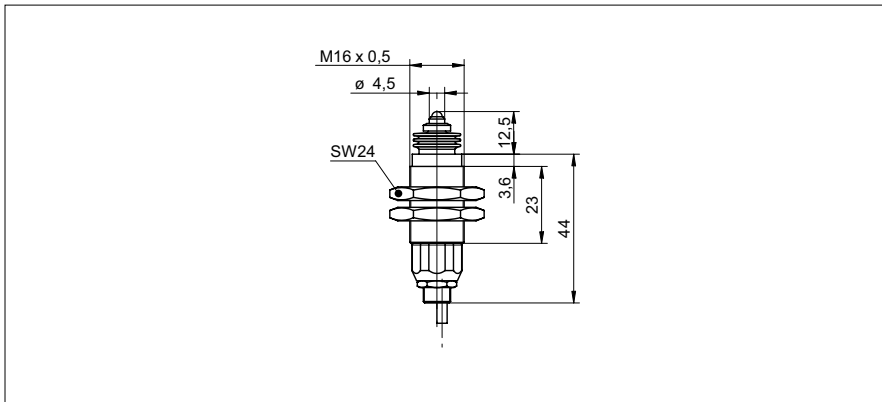


My-Com precision switches

MY-COM D250/80

dimension drawing



general data

repeat accuracy	< 0,001 mm
activating force	250 cN
mech. pre-run / overrun	1 mm / 1 mm approx.
measurement type	contact with medium
direction of approach	frontal and lateral approach

electrical data

DC voltage max.	15 VDC
switch. current DC max.	2 mA
AC voltage max.	24 VAC
switch. current AC max.	50 mA
output circuit	break function (NC) mechanical

mechanical data

activating pin	hardened steel
housing material	browned brass
dimension	16 mm
type	cylindrical threaded
housing length	56 mm
connection types	cable, 80 cm

ambient conditions

operating temperature	-20 ... +75 °C
protection class	IP 67

photo



connection diagram

