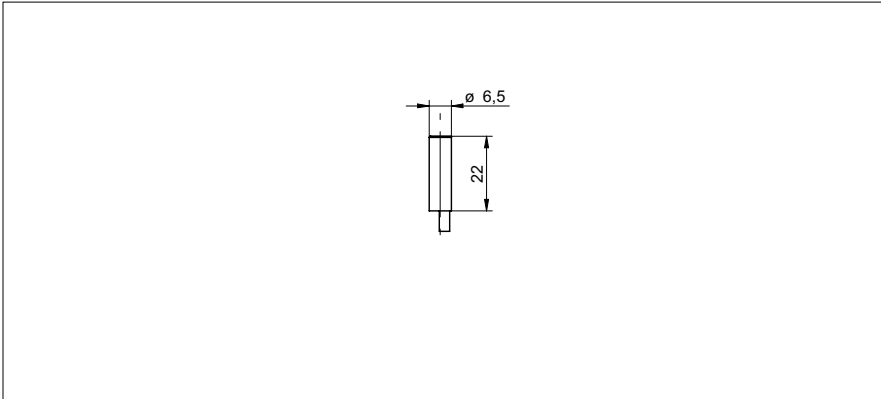


# Inductive distance measuring sensors

IR06.D03S-11144078

**dimension drawing**



**general data**

mounting type	quasi-flush
measuring distance Sd	0 ... 3 mm
resolution	< 0,001 mm (stat.) < 0,01 mm (dynam.)
repeat accuracy	< 0,02 mm
linearity error	- 0 µm / + 270 µm (S = 0,2 ... 1,7 mm) - 150 µm / + 900 µm (S = 0 ... 3 mm)
temperature drift	± 4 % (Full Scale; 0 ... +60 °C) ± 6 % (Full Scale; -25 ... +75 °C)

**electrical data**

response time (factory characteristic)	< 0,5 ms
voltage supply range +Vs	12 ... 36 VDC
current consumption max. (no load)	10 mA
output circuit	voltage output
output signal	0 ... 10 VDC
load resistance	> 4000 Ohm
short circuit protection	yes
reverse polarity protection	yes

**mechanical data**

type	cylindrical smooth
housing material	stainless steel
dimension	6,5 mm
housing length	22 mm
connection types	cable, 2 m

**ambient conditions**

operating temperature	-25 ... +75 °C
protection class	IP 67

**photo**



**connection diagram**

