

features

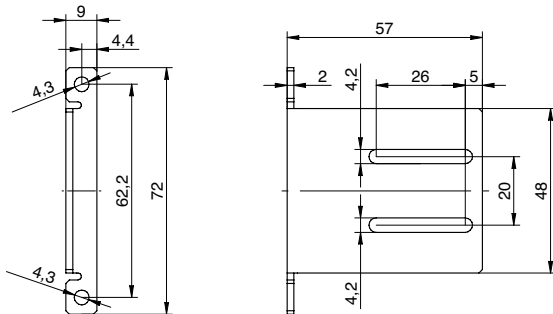
- set of fixation brackets for LED ring light RONDO-LX and VeriSens® XC series
- length: 57 mm



mechanical data

weight	≤ 45 g
length	57 mm
material	black anodized aluminium

dimension drawing



schematic diagram

