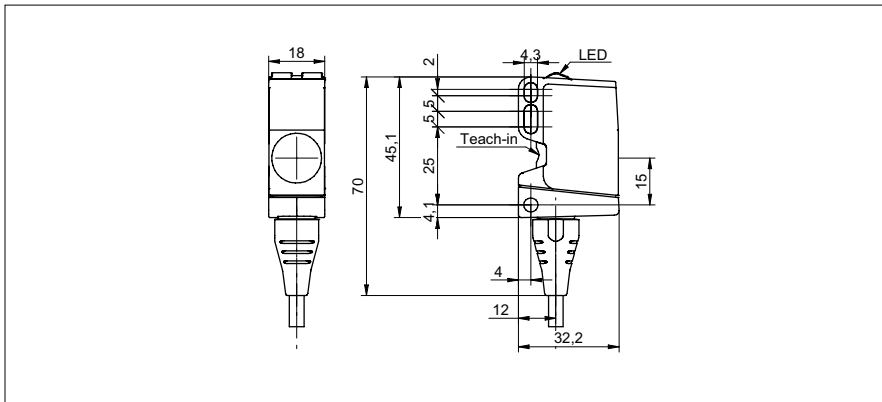


Ultrasonic distance measuring sensors

U500.DA0-11127346

dimension drawing



general data

scanning range Sd	100 ... 1000 mm
scanning range close limit Sdc	100 ... 1000 mm
scanning range far limit Sde	100 ... 1000 mm
repeat accuracy	< 0,5 mm
resolution	< 0,3 mm
response time ton	< 80 ms
release time toff	< 80 ms
temperature drift	< 2 % of distance to target So
power-up drift	compensated after 15 min.
sonic frequency	220 kHz
adjustment	qTeach
alignment aid	light indicator flashing
light indicator	LED yellow
power on indication	LED green
alignment measuring axis	< 2°

electrical data

voltage supply range +Vs	12 ... 30 VDC
current consumption typ.	38 mA
output circuit	voltage - / current output
output signal	4 ... 20 mA / 0 ... 10 VDC
residual ripple	< 10 % Vs
short circuit protection	yes
reverse polarity protection	yes, Vs to GND

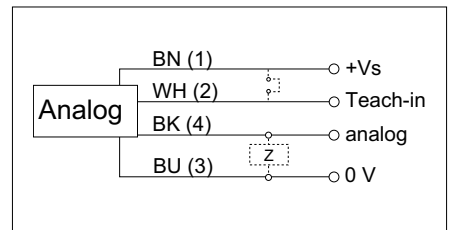
mechanical data

type	rectangular
housing material	plastic (ASA, PMMA)
width / diameter	18 mm
height / length	45 mm
depth	32 mm
connection types	cable PUR 4 x 0,25, 2 m

photo



connection diagram



- The sensor recognizes automatically whether it should deliver a current or a voltage output.

Ultrasonic distance measuring sensors

U500.DA0-11127346

ambient conditions

operating temperature	-25 ... +65 °C (+60 °C current mode)
storage temperature	-40 ... +75 °C
protection class	IP 67

typical sonic cone profile

