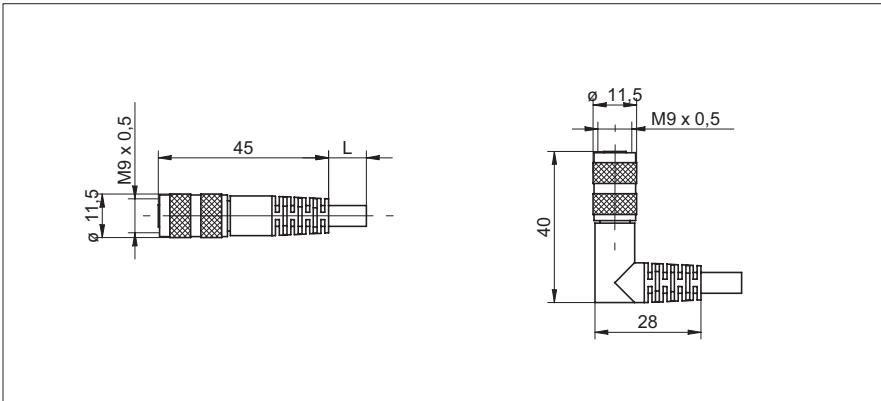


Connector M9 x 0,5 with attached PUR-cable, shielded

dimension drawing



- 5-wire, shielded
- shield connected with cap-nut
- PUR, black
- self-locking cap nut

General data

Nominal current I_N	3 A
Nominal voltage U_N	125 V
Number of positions	5
Volume resistance	$\leq 5 \text{ m}\Omega$
Insulation resistance	$\geq 100 \text{ M}\Omega$
Length of cable	see listing
Stripping length of the free conductor end	50 mm
Ambient temperature (operation)	-25 ... 70 °C

General characteristics

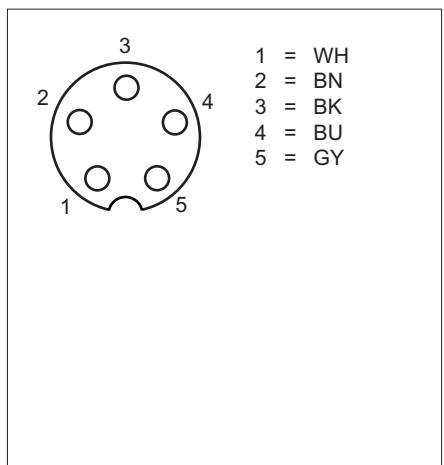
Coding	A-standard
Surge voltage category	II
Pollution degree	1
Degree of protection	IP67
Contact material	CuSn
Contact surface material	Au
Contact carrier material	PBT (UL 94-V-0)
Material of grip body	PUR
Material, knurls	CuZn, nickel-plated
Status display	no
Mating lifetime	> 500 mating cycles

Conductor data

Cable type	PUR black, shielded
Conductor cross section	0,25 mm ²
AWG signal line	24
Conductor structure, signal line	14x0,15 mm
External cable diameter	5,3 mm
Wire colors	white, brown, black, blue, gray
External sheath, color	black

type	Mat.-No.	length
straight connectors		
ESG 62CP0200G	11094660	2 m
ESG 62CP0500G	11094662	5 m
ESG 62CP1000G	11094659	10 m
ESG 62CP2000G	11094661	20 m
angular connectors		
ESW 61CP0200G	11094250	2 m
ESW 61CP0500G	11094251	5 m
ESW 61CP1000G	11094249	10 m
other lengths on request		

pin assignment



Connector M9 x 0,5 with attached PUR-cable, shielded

Conductor data (cont.)	
Conductor resistance	75 Ω /km
Shielding	Tinned copper braided shield
Optical shield covering	85 %
Outer sheath, material	PUR
Material conductor insulation	PVC
Conductor material	Bare Cu litz wires
Smallest bending radius, movable installation	min. 80 mm
Bending radius	min. 53 mm