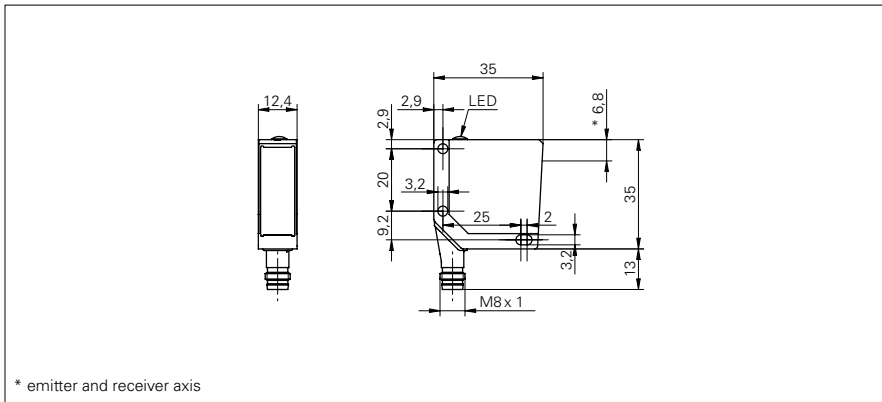


Retro-reflective sensors

OPDM 12P5103/S35A

dimension drawing



general data

| | |
|-----------------------------------|-------------------------------|
| type | retro-reflective laser sensor |
| version | single lens optics |
| light source | pulsed red laser diode |
| actual range S_b | 7 m |
| nominal range S_n | 8 m |
| repeat accuracy | < 0,1 mm at laser focus |
| polarization filter | yes |
| alignment / soiled lens indicator | flashing light indicator |
| light indicator | LED yellow |
| power on indication | LED green |
| sensitivity adjustment | no |
| laser class | 2 |
| distance to focus | parallel beam |
| wave length | 650 nm |

electrical data

| | |
|------------------------------------|----------------------|
| response time / release time | < 0,1 ms |
| voltage supply range +Vs | 10 ... 30 VDC |
| current consumption max. (no load) | 50 mA |
| current consumption typ. | 40 mA |
| voltage drop V_d | < 1,8 VDC |
| output function | light / dark operate |
| output circuit | PNP |
| output current | < 100 mA |
| short circuit protection | yes |
| reverse polarity protection | yes |

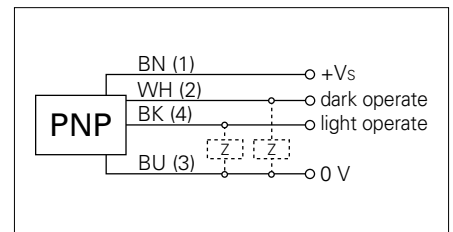
mechanical data

| | |
|------------------|--------------------|
| width / diameter | 12,4 mm |
| height / length | 35 mm |
| depth | 35 mm |
| type | rectangular |
| housing material | die-cast zinc |
| front (optics) | glass |
| connection types | connector M8 4 pin |

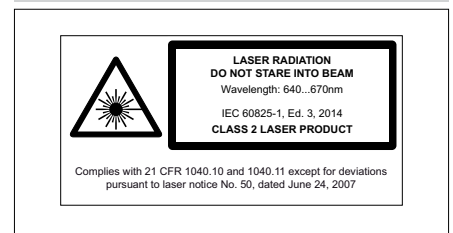
photo



connection diagram



laser warning



Retro-reflective sensors**OPDM 12P5103/S35A****ambient conditions**

| | |
|-----------------------|----------------|
| operating temperature | -10 ... +50 °C |
| protection class | IP 67 |