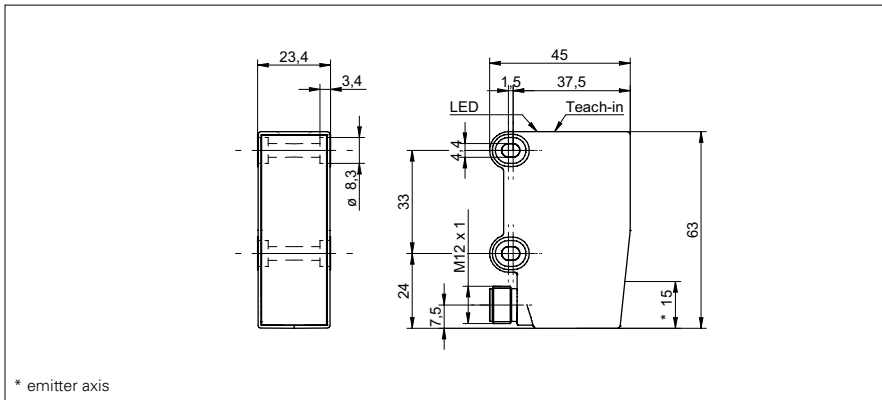


SmartReflect Light barriers

ONDK 25G6911/S14

dimension drawing



general data

| | |
|-----------------------------------|---------------------------|
| type | light barrier |
| version | standard object detection |
| light source | pulsed red laser diode |
| background position Sde | 100 ... 1900 mm |
| scanning range Sa | 97% ... 83% Sde |
| alignment / soiled lens indicator | flashing light indicator |
| power on indication | LED green |
| light indicator | LED yellow |
| sensing distance adjustment | Teach-in |
| laser class | 1 |
| wave length | 656 nm |
| beam diameter | 3,7 ... 22 mm |

electrical data

| | |
|------------------------------------|----------------------|
| response time / release time | < 10 ms |
| voltage supply range +Vs | 10 ... 30 VDC |
| current consumption max. (no load) | 80 mA |
| voltage drop Vd | < 3,5 VDC |
| output function | light / dark operate |
| output circuit | push-pull |
| output current | < 100 mA |
| short circuit protection | yes |
| reverse polarity protection | yes |

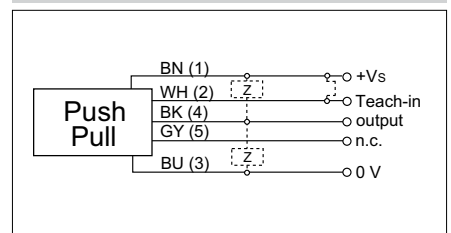
mechanical data

| | |
|------------------|--------------------------|
| width / diameter | 23,4 mm |
| height / length | 63 mm |
| depth | 45 mm |
| type | rectangular |
| housing material | plastic (SAN LURAN 378P) |
| front (optics) | PMMA |
| connection types | connector M12 5 pin |

photo



connection diagram



laser warning

CLASS 1 LASER PRODUCT

IEC 60825-1:2014
Complies with 21 CFR 1040.10 and 1040.11
except for deviations pursuant to laser
notice No. 50, dated June 24, 2007



• qTeach

SmartReflect Light barriers**ONDK 25G6911/S14****ambient conditions**

| | |
|-----------------------|----------------|
| operating temperature | 0 ... +50 °C |
| protection class | IP 67 |
| storage temperature | -10 ... +70 °C |