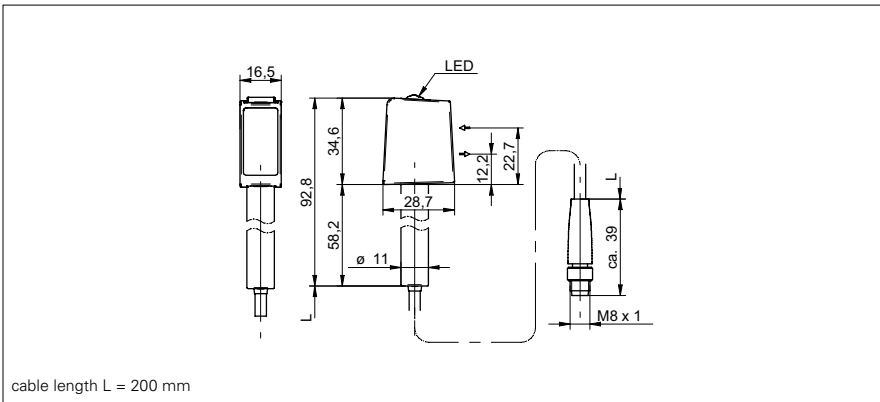


Diffuse sensors with background suppression

O300H.GL-11171769

dimension drawing



general data

| | |
|-------------------------------------|-------------------------|
| type | background suppression |
| special type | hygienic design |
| light source | pulsed red laser diode |
| sensing distance Tw | 30 ... 250 mm |
| sensing range Tb | 15 ... 250 mm |
| repeat accuracy | < 0,1 mm at laser focus |
| power on indication | LED green |
| light indicator | LED yellow |
| sensing distance adjustment | Teach-in and IO-Link |
| laser class | 1 |
| distance to focus | 80 mm |
| wave length | 656 nm |
| suppression of reciprocal influence | yes |
| alignment optical axis | < 2° |
| approvals/certificates | Ecolab |

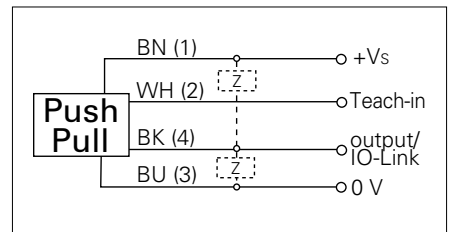
photo



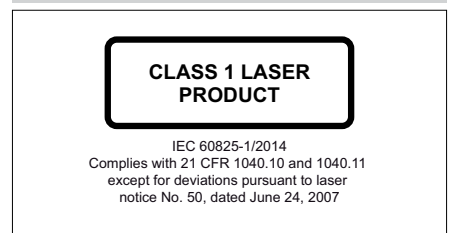
electrical data

| | |
|------------------------------------|----------------------|
| response time / release time | < 0,25 ms |
| voltage supply range +Vs | 11 ... 30 VDC |
| current consumption max. (no load) | 30 mA |
| current consumption typ. | 25 mA |
| voltage drop Vd | < 2,5 VDC |
| output function | light / dark operate |
| output circuit | push-pull |
| output current | < 100 mA |
| short circuit protection | yes |
| reverse polarity protection | yes |

connection diagram



laser warning



mechanical data

| | |
|------------------|-------------------------------|
| width / diameter | 16,5 mm |
| height / length | 34,6 mm |
| depth | 28,7 mm |
| type | rectangular |
| housing material | stainless steel 1.4404 (V4A) |
| front (optics) | PMMA |
| connection types | fylead connector M8, L=200 mm |



Diffuse sensors with background suppression

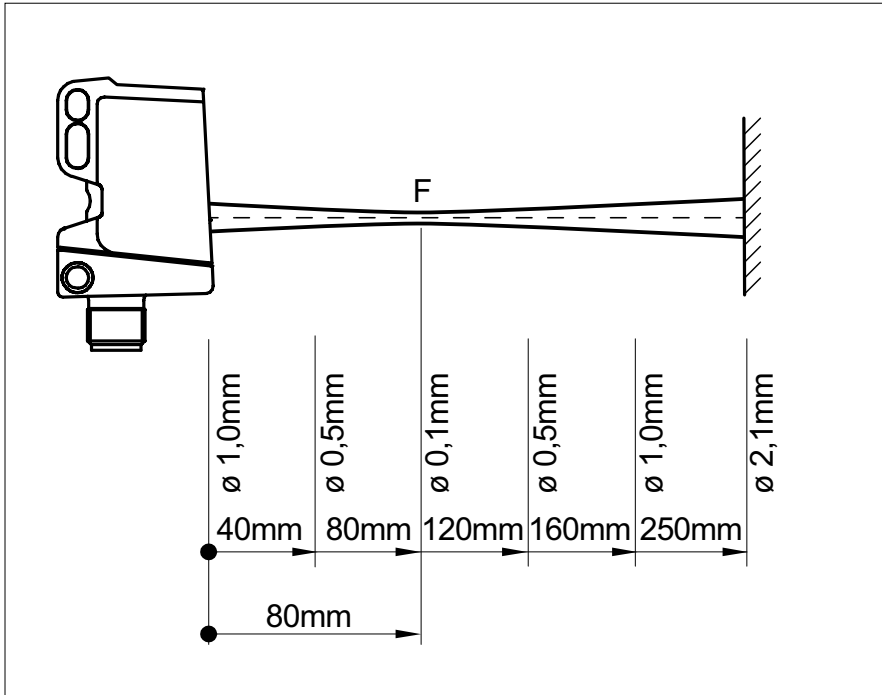
O300H.GL-11171769

ambient conditions

| | |
|-----------------------|----------------------|
| operating temperature | -10 ... +60 °C |
| protection class | IP 68/69K & proTect+ |

- magnetic Teach
- IO-Link: V1.1, filter functions, qTeach lock adjustable

beam characteristic (typically)



sensing distance diagram

