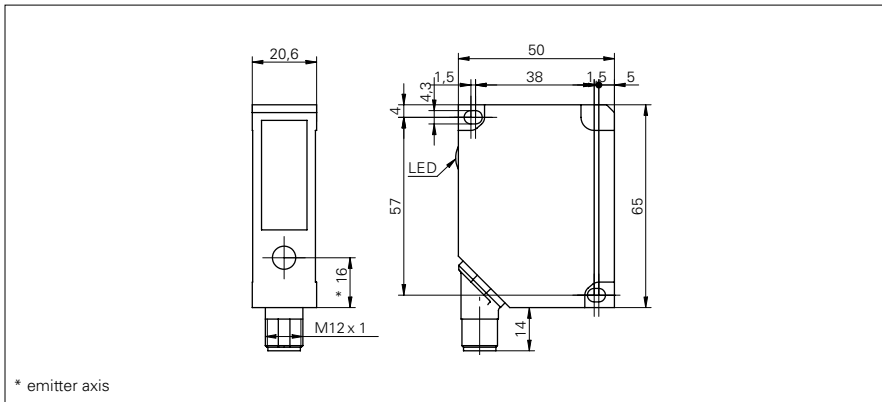


Distance sensors

OADM 20I5570/S14C

dimension drawing



general data

| | |
|-----------------------|------------------------|
| measuring distance Sd | 50 ... 250 mm |
| adjustment | no |
| power on indication | LED green |
| soiled lens indicator | LED red |
| resolution | 0,1 ... 0,3 mm |
| linearity error | ± 0,3 ... ± 0,8 mm |
| light source | pulsed red laser diode |
| wave length | 650 nm |
| laser class | 2 |
| beam type | line |
| beam width | 2,5 mm |
| beam height | 4 ... 10 mm |
| temperature drift | < 0,03 % Sde/K |

electrical data

| | |
|------------------------------------|------------------------|
| response time / release time | < 10 ms |
| voltage supply range +Vs | 12 ... 28 VDC |
| current consumption max. (no load) | 100 mA |
| output circuit | analog |
| output signal | 4 ... 20 mA |
| load resistance (analog I) | < (+Vs - 6 V) / 0,02 A |
| alarm output | PNP |
| short circuit protection | yes |
| reverse polarity protection | yes, Vs to GND |

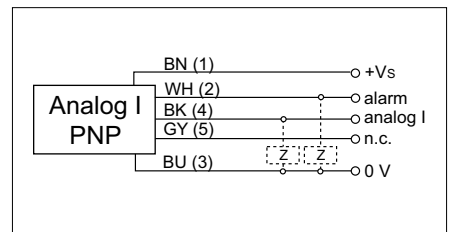
mechanical data

| | |
|------------------|--------------------------------|
| width / diameter | 20,6 mm |
| height / length | 65 mm |
| depth | 50 mm |
| type | rectangular |
| housing material | die-cast zinc |
| front (optics) | glass |
| connection types | connector M12 5 pin, rotatable |

photo



connection diagram



alignment of the laser line



Distance sensors

OADM 20I5570/S14C

ambient conditions

| | |
|-----------------------|--------------|
| operating temperature | 0 ... +50 °C |
| protection class | IP 67 |

laser warning

