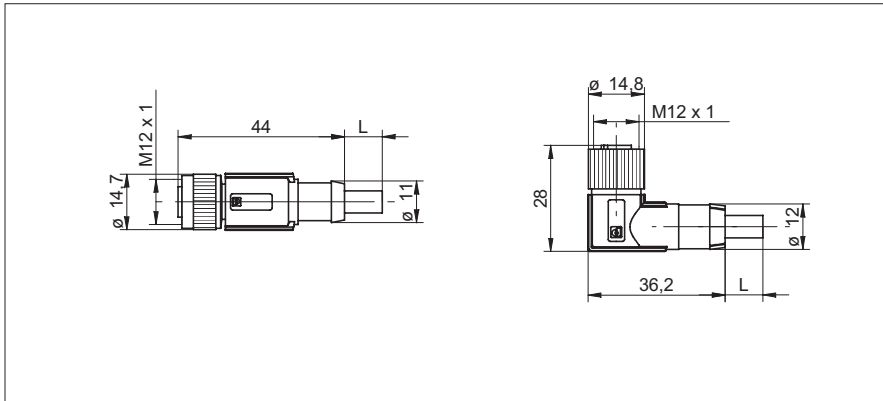


## Connector M12 x 1 with attached PUR-cable, shielded

### dimension drawing



- 8-wire, shielded
- shield connected with cap-nut
- PUR halogen-free
- suitable for flexible cable carriers
- self-locking cap nut
- UL listing file No. E315836

### General data

Nominal current $I_N$	2A
Nominal voltage $U_N$	30 V
Number of positions	8
Volume resistance	$\leq 5 \text{ m}\Omega$
Insulation resistance	$\geq 100 \text{ M}\Omega$
Length of cable	see listing
Stripping length of the free conductor end	50 mm
Ambient temperature (operation)	-25 ... 90 °C

### General characteristics

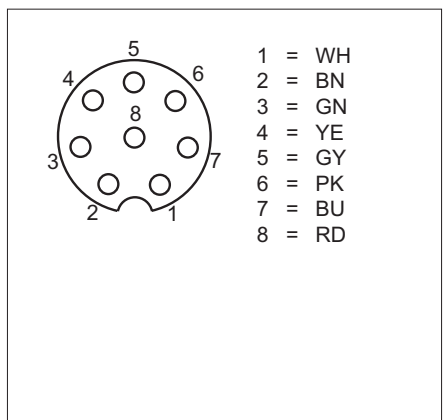
Coding	A-standard
Surge voltage category	II
Pollution degree	3
Degree of protection	IP65/IP67
Contact material	CuSn
Contact surface material	Ni/Au
Contact carrier material	TPU GF
Material of grip body	TPU, hardly inflammable, self-extinguishing
Material, knurls	Zinc die-cast, (nickel-plated)
Sealing material	NBR
Status display	no

### Conductor data

Cable type	PUR halogen-free black, shielded
Cable abbreviation	Li9YVI-C-VI-11Y
Conductor cross section	0,25 mm <sup>2</sup>
AWG signal line	24
Conductor structure, signal line	32x0,10 mm
Core diameter including insulation	1,17 mm $\pm 0,02$ mm
Thickness, insulation	ca. 0,21 mm (Core insulation)
	ca. 0,6 mm (Outer cable sheath)
External cable diameter	5,9 $\pm 0,15$ mm
Wire colors	Brown, white, green, yellow, gray, pink, blue, red
External sheath, color	Black-gray RAL 7021

type	Mat.-No.	length
<b>straight connectors</b>		
ESG 34FH0200G	10127844	2 m
ESG 34FH0500G	10129332	5 m
ESG 34FH1000G	10129333	10 m
<b>angular connectors</b>		
ESW 33FH0200G	11053961	2 m
ESW 33FH0500G	11053962	5 m
ESW 33FH1000G	10170054	10 m
other lengths on request		

### pin assignment



## Connector M12 x 1 with attached PUR-cable, shielded

Conductor data (cont.)	
Conductor resistance	≤ 58 Ω/km
Nominal voltage, conductor	300 V
Test voltage, conductor	3000 V
Overall twist	8 wires around filler to the core
Shielding	Tinned copper braided shield
Optical shield covering	85 %
Outer sheath, material	PUR
Material conductor insulation	PP
Conductor material	Bare Cu litz wires
Cable weight	54 kg/km
Smallest bending radius, movable installation	59 mm
Number of bending cycles	4'000'000
Bending radius	59 mm
Traversing path	10 m
Traversing rate	3 m/s
Acceleration	10 m/s <sup>2</sup>
Ambient temperature (operation)	-40 ... 80 °C (cable, fixed installation)
	-5 ... 80 °C (cable, flexible installation)
Special properties	Flexible cable conduit capable
	Silicone-free
	Free of substances which would hinder coating with paint or varnish
Flame resistance	As per UL-Style 20549
Halogen-free	As per DIN VDE 0472 part 815
Resistance to oil	complying with DIN EN 60811-2-1
Other resistance	Highly resistant to acids, alkaline solutions and solvents
	hydrolysis and microbe resistant