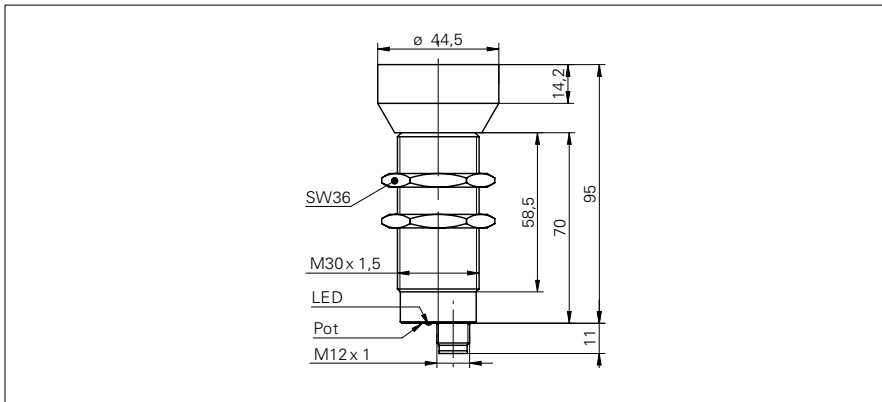


**Ultrasonic proximity sensors**

**UNAM 50P1721/S14**

**dimension drawing**



**general data**

|                              |                            |
|------------------------------|----------------------------|
| scanning range Sd            | 350 ... 2500 mm            |
| scanning range far limit Sde | 350 ... 2500 mm            |
| hysteresis typ.              | 4 % Sde                    |
| repeat accuracy              | < 1 mm                     |
| synchronization              | yes                        |
| temperature drift            | < 0,18 % Sde/K             |
| response time ton            | < 160 ms                   |
| release time toff            | < 160 ms                   |
| sonic frequency              | 120 kHz                    |
| adjustment                   | potentiometer              |
| alignment aid                | target indication flashing |
| output indicator             | LED green                  |

**electrical data**

|                                    |                        |
|------------------------------------|------------------------|
| voltage supply range +Vs           | 12 ... 30 VDC          |
| current consumption max. (no load) | 35 mA                  |
| output circuit                     | PNP make function (NO) |
| output current                     | < 200 mA               |
| voltage drop Vd                    | < 2 VDC                |
| residual ripple                    | < 10 % Vs              |
| short circuit protection           | yes                    |
| reverse polarity protection        | yes                    |

**mechanical data**

|                  |                      |
|------------------|----------------------|
| type             | cylindrical threaded |
| housing material | brass nickel plated  |
| width / diameter | 30 mm                |
| height / length  | 95 mm                |
| connection types | connector M12        |

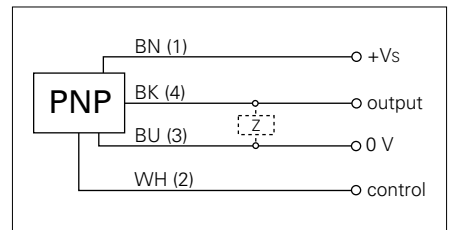
**ambient conditions**

|                       |                |
|-----------------------|----------------|
| operating temperature | -25 ... +60 °C |
| protection class      | IP 67          |

**photo**



**connection diagram**



- long sensing distance

**Ultrasonic proximity sensors**

**UNAM 50P1721/S14**

**typical sonic cone profile**

