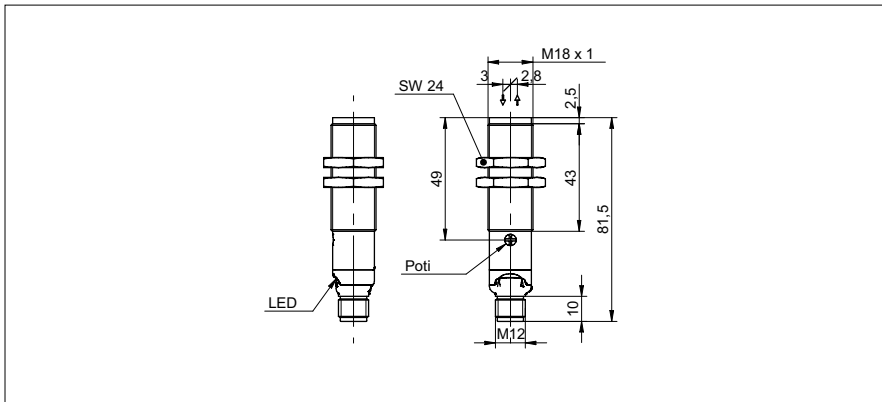


Diffuse sensors with intensity difference

OR18.ZL-11157805

dimension drawing



general data

type	intensity difference
light source	pulsed red laser diode
sensing distance Tw	10 ... 300 mm
power on indication	LED green
output indicator	LED yellow
sensing distance adjustment	potentiometer, 270°
laser class	1
distance to focus	100 mm
wave length	630 nm
suppression of reciprocal influence	yes

electrical data

response time / release time	< 0,34 ms
voltage supply range +Vs	10 ... 30 VDC
current consumption max. (no load)	45 mA
current consumption typ.	35 mA
voltage drop Vd	< 2 VDC
output function	light / dark operate
output circuit	NPN complementary
output current	< 100 mA
short circuit protection	yes
reverse polarity protection	yes

mechanical data

width / diameter	18 mm
height / length	81,5 mm
type	cylindrical threaded
housing material	brass nickel plated
front (optics)	PMMA
connection types	connector M12 4 pin

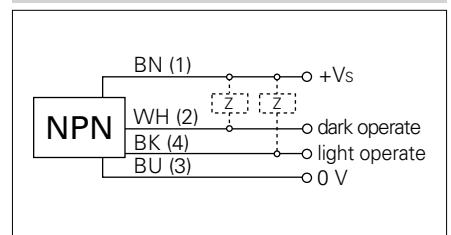
ambient conditions

operating temperature	-10 ... +55 °C
protection class	IP 67

photo



connection diagram



laser warning

CLASS 1 LASER PRODUCT

IEC 60825-1/2014
Complies with 21 CFR 1040.10 and 1040.11
except for deviations pursuant to laser notice No. 50, dated June 24, 2007

