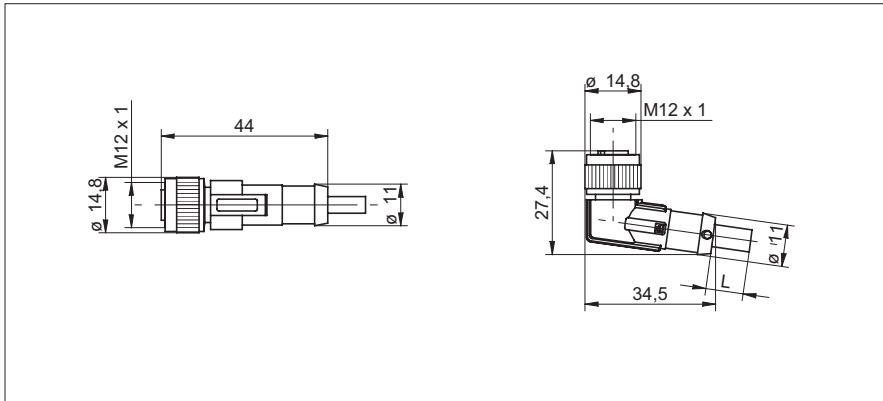


Connector M12 x 1 with attached PUR-cable

dimension drawing



- Use in conjunction with ATEX sensors of category 2D + 3D
- Part number on label attached
- 3-wire
- PUR halogen-free
- suitable for flexible cable carriers
- self-locking cap nut
- UL listing file No. E315836

General data

Nominal current I_N	4 A
Nominal voltage U_N	250 V
Number of positions	3
Volume resistance	$\leq 5 \text{ m}\Omega$
Insulation resistance	$\geq 100 \text{ M}\Omega$
Length of cable	see listing
Stripping length of the free conductor end	50 mm
Ambient temperature (operation)	-25 ... 90 °C

General characteristics

Coding	A-standard
Surge voltage category	II
Pollution degree	3
Degree of protection	IP65/IP67/IP68
Contact material	CuSn
Contact surface material	Ni/Au
Contact carrier material	TPU GF
Material of grip body	TPU, hardly inflammable, self-extinguishing
Material, knurls	Zinc die-cast, (nickel-plated)
Sealing material	NBR
Status display	no

Conductor data

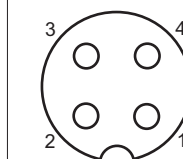
Cable type	PUR halogen-free black
Cable abbreviation	Li9Y11Y
Conductor cross section	0,34 mm ²
AWG signal line	22
Conductor structure, signal line	42x0,10 mm
Core diameter including insulation	1,27 mm \pm 0,02 mm
Thickness, insulation	ca. 0,21 mm (Core insulation)
	ca. 0,76 mm (Outer cable sheath)
External cable diameter	4,40 mm
Wire colors	Brown, blue, black
External sheath, color	Black-gray RAL 7021

type

type	Mat.-No.	length
straight connectors		
ESG 34SH0200X	11099263	2 m
ESG 34SH0300X	11099265	3 m
ESG 34SH0500X	11099266	5 m
ESG 34SH1000X	11099267	10 m
ESG 34SH2000X	11099268	20 m
angular connectors		
ESW 33SH0200X	11099269	2 m
ESW 33SH0500X	11099270	5 m
ESW 33SH0600X	11099271	6 m
ESW 33SH1000X	11099272	10 m
ESW 33SH2000X	11099273	20 m

other lengths on request

pin assignment



- 1 = BN
- 2 = n.c.
- 3 = BU
- 4 = BK

Connector M12 x 1 with attached PUR-cable

Conductor data (cont.)	
Nominal voltage, conductor	300 V
Test voltage, conductor	3000 V
Overall twist	3 wires, twisted
Outer sheath, material	PUR
Material conductor insulation	PP
Conductor material	Bare Cu litz wires
Cable weight	26 kg/km
Smallest bending radius, movable installation	44 mm
Number of bending cycles	4'000'000
Bending radius	44 mm
Traversing path	10 m
Traversing rate	3 m/s
Acceleration	10 m/s ²
Ambient temperature (operation)	-40 ... 80 °C (cable, fixed installation) -5 ... 80 °C (cable, flexible installation)
Special properties	Flexible cable conduit capable Silicone-free Free of substances which would hinder coating with paint or varnish
Flame resistance	As per UL-Style 20549
Halogen-free	As per DIN VDE 0472 part 815
Resistance to oil	complying with DIN EN 60811-2-1
Other resistance	Highly resistant to acids, alkaline solutions and solvents hydrolysis and microbe resistant