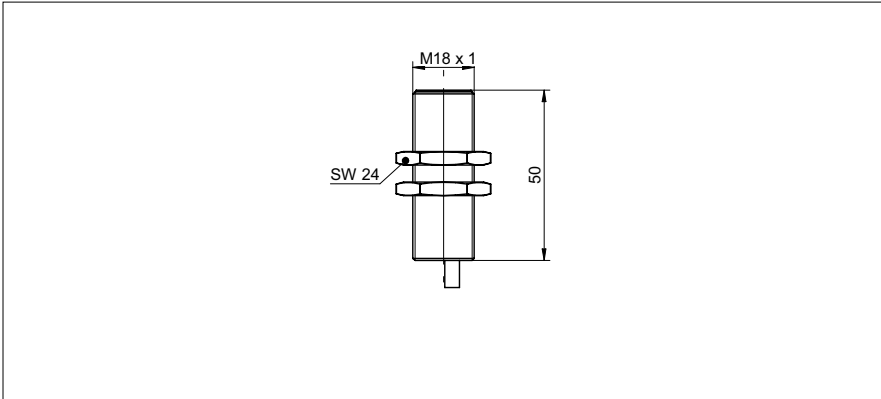


Inductive distance measuring sensors

IR18.D08S-11130479

dimension drawing



general data

mounting type	quasi-flush
measuring distance Sd	0 ... 8 mm
resolution	< 0,002 mm (stat.) < 0,006 mm (dynam.)
repeat accuracy	< 0,015 mm
linearity error	± 240 µm (S = 2 ... 6 mm) ± 640 µm (S = 0 ... 8 mm)
temperature drift	± 2 % (Full Scale; 0 ... +60 °C) ± 4 % (Full Scale; -10 ... +70 °C)

electrical data

response time (factory characteristic)	< 2 ms
voltage supply range +Vs	12 ... 36 VDC
current consumption max. (no load)	10 mA
output circuit	voltage output
output signal	0 ... 10 VDC
load resistance	> 4000 Ohm
short circuit protection	yes
reverse polarity protection	yes

mechanical data

type	cylindrical threaded
housing material	brass nickel plated
dimension	18 mm
housing length	50 mm
connection types	cable, 2 m
tightening torque max.	40 Nm

ambient conditions

operating temperature	-10 ... +70 °C
protection class	IP 67

photo



connection diagram

