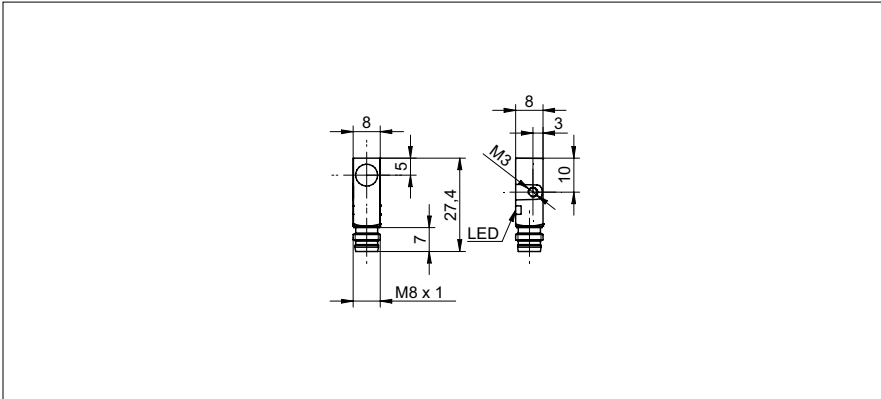


# Inductive proximity switch

## IFFM 08P37A5/O1S35L

### dimension drawing



### general data

mounting type	flush
nominal sensing distance $S_n$	2 mm
hysteresis	3 ... 20 % of $S_r$
output indicator	LED red

### electrical data

switching frequency	< 5 kHz
voltage supply range +Vs	10 ... 30 VDC
current consumption max. (no load)	12 mA
output circuit	PNP break function (NC)
voltage drop $V_d$	< 2 VDC
output current	< 200 mA
short circuit protection	yes
reverse polarity protection	yes

### mechanical data

type	rectangular
material (sensing face)	PBT
housing material	die-cast zinc nickel plated
dimension	8 mm
housing length	27,4 mm
connection types	connector M8

### ambient conditions

operating temperature	-25 ... +75 °C
protection class	IP 67

### photo



### connection diagram

