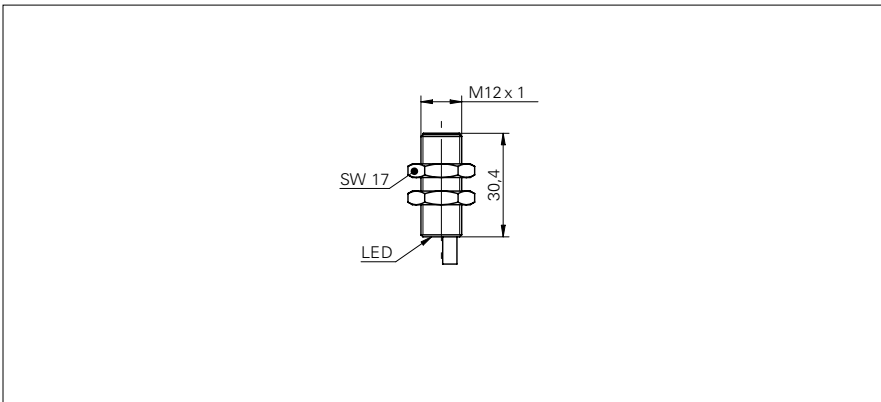


**Inductive proximity switch**

**IFRM 12N37X1/L**

**dimension drawing**



**general data**

mounting type	flush
nominal sensing distance $S_n$	4 mm
hysteresis	3 ... 20 % of $S_r$
output indicator	LED red
approvals/certificates	ATEX 3D

**electrical data**

switching frequency	< 2 kHz
voltage supply range +Vs	10 ... 30 VDC
current consumption max. (no load)	10 mA
output circuit	NPN break function (NC)
voltage drop Vd	< 2 VDC
output current	< 200 mA
short circuit protection	yes
reverse polarity protection	yes

**mechanical data**

type	cylindrical threaded
material (sensing face)	PBT
housing material	brass nickel plated
dimension	12 mm
housing length	30,4 mm
connection types	cable, 2 m

**ambient conditions**

protection class	IP 67
------------------	-------

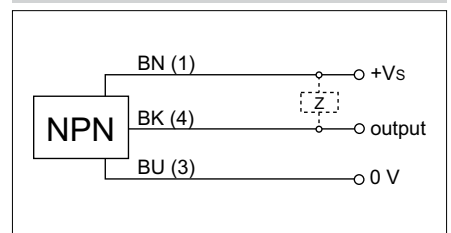
**safe maximum values**

marking	II 3D Ex tc IIIC T100°C Dc X
operating temperature $T_a$	-25 ... +65 °C

**photo**



**connection diagram**



## Inductive proximity switch

## IFRM 12N37X1/L

### Safe maximum values

Marking	II 3D Ex tc IIIC T100°C Dc X
Operating temperature Ta	-25 ... +65 °C

### Special conditions „X“

- The device must be set up so that the device and the plug-in connector are completely mechanically protected from impact effects in accordance with EN 60079-0 Section 26.4.2
- The metal housing must be conductively connected to the plant's equipotential bonding system
- Device and connection cable must be installed so that they are protected from UV light