

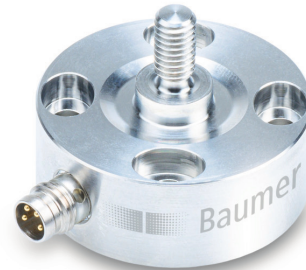
DLM40-SO

Compact screw-on load cells for industrial applications

DLM40-SO.###.TP3.C4

Overview

- Tension and compression load till 20 kN
- Non-linearity < 0.2 %
- Mounting possibility on both sides
- Sensor body made of stainless steel with protection class IP68
- Fully welded sensor design
- Durable with 100% working stroke



Technical data

general data

Nominal force	2 ... 20 kN
Non-linearity	< 0.2 %
Repeatability	< 0.1 %
Temperature effect zero	< 0.2 % / 10K
Zero point deviation	< 20 %
Type	Screw-on
Mechanical mounting	4 x M6 screws / M12 thread

electrical data

Nominal sensitivity	1 mV/V
Bridge resistance	1000 Ω
Supply voltage	0.5 ... 12 VDC
Signal polarity positive	Tension

mechanical data

Overload	150 %
Breaking load	200 %

mechanical data

Nominal displacement	36 μm
Weight	330 g
Material sensor body	Stainless steel, 1.4542
Fatigue strength	>10 Mio cycles at 0...100% FS
Electrical connection	M8, 4 pin, male

environmental conditions

Operating temperature range	-40 ... 85 °C
Storage temperature range	-40 ... 85 °C
Protection class EN 60529, ISO20653	IP 68

compliance and approvals

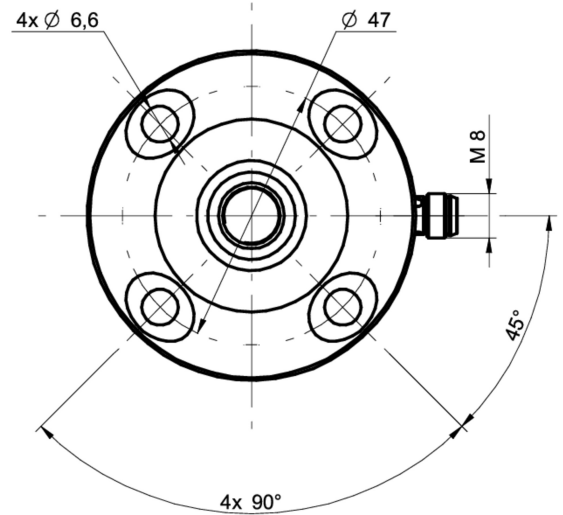
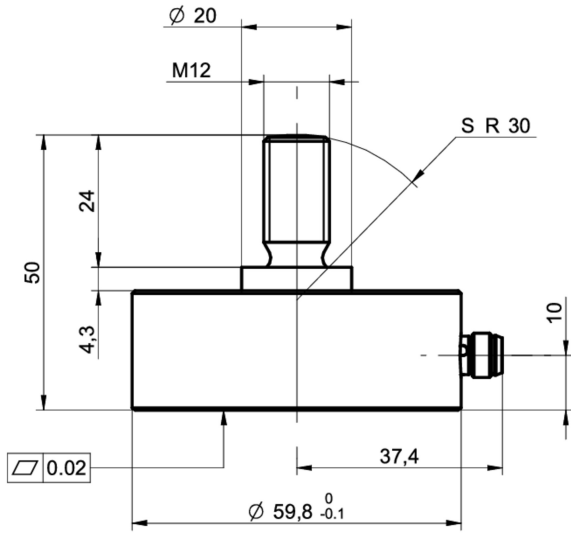
EMC	EN 61000-6-2 EN 61000-6-3 EN 61326-2-3
UL listed	E217824

DLM40-SO

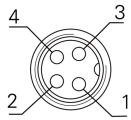
Compact screw-on load cells for industrial applications

DLM40-SO.###.TP3.C4

Dimensional drawings



Electrical connection



- 1 +Vs
- 2 Sig +
- 3 -Vs
- 4 Sig -

Ordering key - Configuration possibilities see website

	DLM	40	-	SO	.	###	.	T	P3	.	C4
Product group	Membrane force sensor										
	DLM										
Size category	40										
		40									
Type	Screw-on										
				SO							
Nominal force	2 kN										
											202
	5 kN										
											502
	10 kN										
											103
	20 kN										
											203
Measuring direction positive	Tension										
											T
Output signal	Nominal sensitivity 1.00 mV/V										
											P3
Electrical connection	M8, 4 pin, male										
											C4