



features

- LED spot light
- red
- 19... 30 V
- cable length: 0,15 m
- diameter: 34 mm
- adjustable glass optics for spot or broad light
- integrated flash controller and potentiometer (brightness and exposure time)
- direct connection to VeriSens® M12/12-pin connector thanks to T-adaptor cable (ZVI-LUMIMAX T1-Adapterkabel VeriSens® (11175008))
- maximum exposure time 220 µs (maximum frequency 35 Hz)

general data

manufacturer iiM AG

illumination data

color red (625 nm)

illumination mode flashable

mechanical data

construction design spot light

max. outer diameter 36 mm

height 75 mm

max. length (excl. thread) 92 mm

dimensions Ø 30 mm

luminous area

cable length [m] 0,15 m

weight ≤ 150 g

filter thread M30,5 x 0,5

material aluminum

electrical data

number of poles 12

illumination connector M16 connector

voltage supply range +Vs 19 ... 30 VDC

current at flash mode ≤ 0,2 A

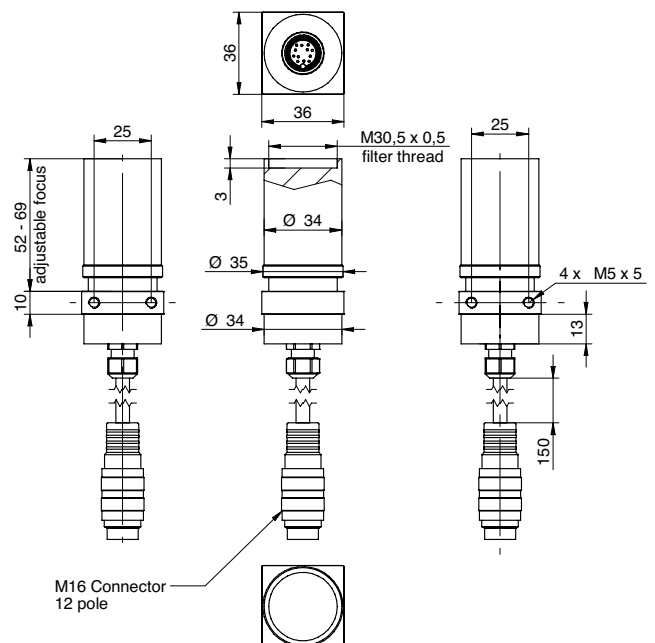
maximum flash duration 0,22 ms

environmental conditions

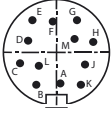
operating temperature 5 ... +45 °C

protection class IP 40

dimension drawing



pin assignment



LUMIMAX® Spot5W-FL

A+K:	GND	F:	+ Trigger SPS /TTL
B+L:	+Vs	G:	GND Trigger
C:	-	H:	Shield
D:	Brightness Control 1...10 VDC	I:	-
E:	-	J:	-