



features

- flashable LED ring light
- infrared (850 nm)
- radiation angle 50°
- 24 V
- M8/4-pin connector (cable has to be ordered separately)
- diameter: 101 mm
- connector and pin assignment suitable for VeriSens® XC series

general data

manufacturer Büchner Lichtsysteme GmbH

illumination data

color infrared
illumination mode flashable

mechanical data

construction design ring light
 dimensions Ø 101 mm
 height 24 mm
 dimensions Ø external 101 mm
 luminous area Ø internal 67 mm
 material of cover glass acrylic
 weight ≤ 160 g
 material aluminum (anodized)

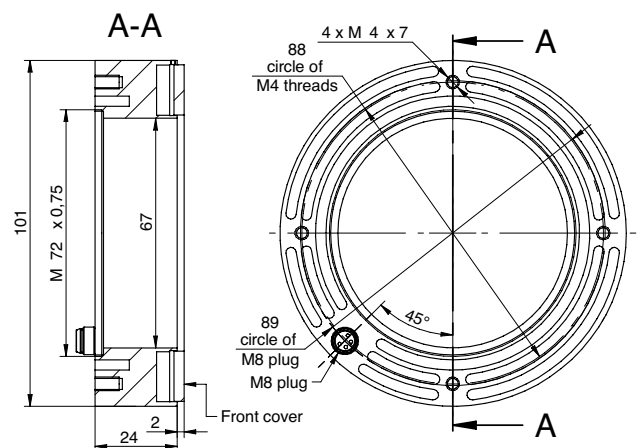
electrical data

number of poles 4
 illumination M8 connector
 connector
 current ≤ 0,35 A
 current at flash mode ≤ 0,35 A
 voltage at flash mode ≤ 48 V
 duty cycle 0-10%
 maximum flash duration 1 ms

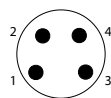
environmental conditions

operating temperature max. 50 °C

dimension drawing



pin assignment



M8	signal
1:	LED +24V (pulsing 24-48 V)
2:	N.C.
3:	LED - (GND)
4:	N.C.