

# Accessories

## Relay moduls

### Relay modul ES 93 R



#### Description

Switch relay box for switching high voltages and currents for the electrical speed switch ES 93. Triggering is carried out by the transistor outputs of the ES 93. The ES 93 R also conditions an externally supplied AC or DC low voltage.

#### Part number

11054943 Relay modul ES 93 R

#### Suitable for

ES 93, HOG 10 + ESL 93, HOG 11 + ESL 93, POG 10 + ESL 93, POG 11 + ESL 93, POG 9 + ESL 93, POG 90 + ESL 93

#### Technical data

Dimensions W x H x L 50 x 75 x 55 mm

Voltage supply 15...26 VDC

Cable length <200 m (1 mm<sup>2</sup> shielded)

Operating temperature -20...+50 °C

Connection Connecting terminal

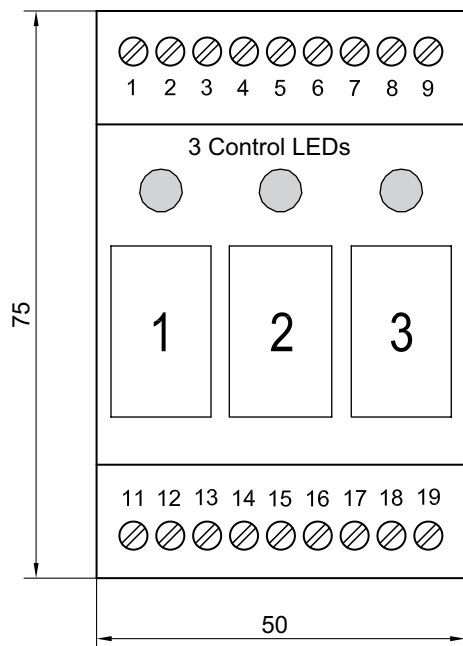
Weight approx. 130 g

Protection DIN EN 60529 IP 20

Material Housing: Polycarbonate

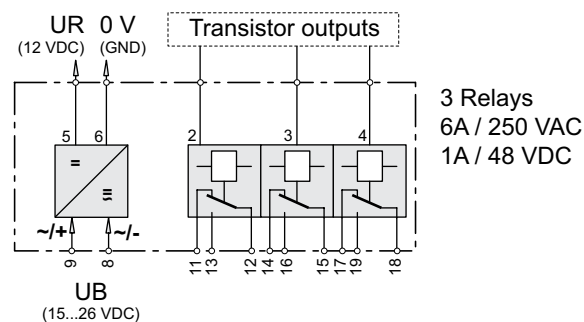
Approval CE

#### Dimensions



Height = 55

#### Terminal assignment



3 Relays  
6A / 250 VAC  
1A / 48 VDC