



features

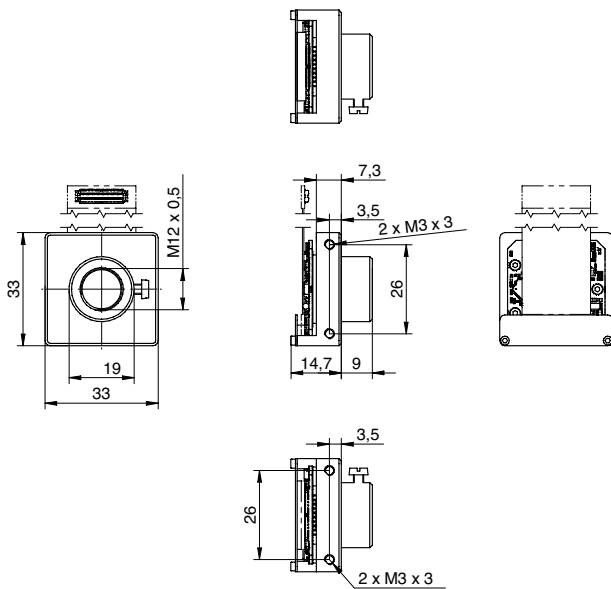
- content: S-mount adapter, sealings, screws, retaining bracket, spacers, IR Cut filter
- sealing depends on camera model

mechanical data

weight ≤ 27 g

material aluminum

dimension drawing



schematic diagram

