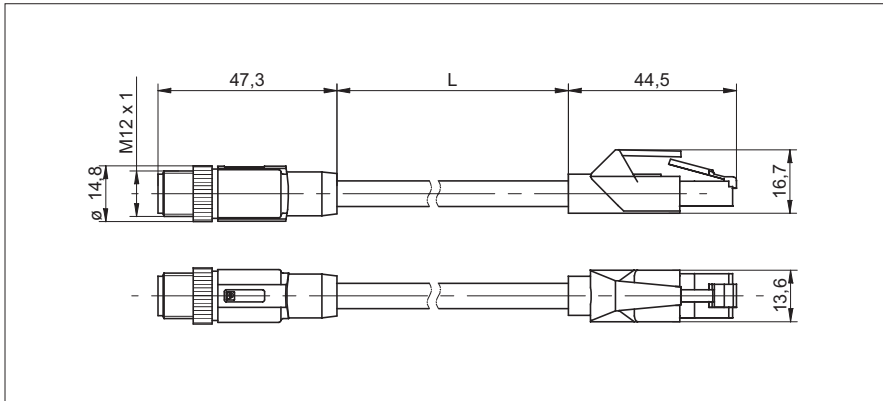


connecting cable ethernet cable, socket, straight M12 – RJ45 connector

dimension drawing



- Ethernet cable
- CAT5e
- 2-pair shielded
- shield connected with cap-nut
- Cable coating PUR

General data

Rated voltage	60 V
Number of positions	4
Length of cable	see listing
Insertion/withdrawal cycles	≥ 100

General characteristics

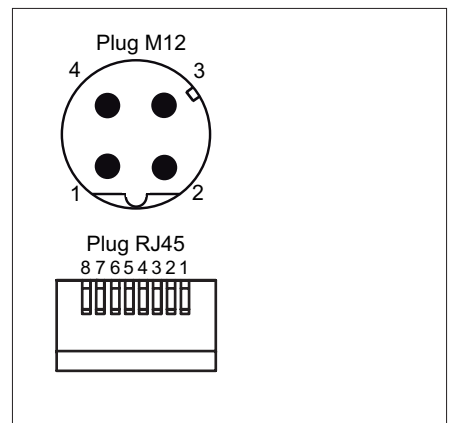
Coding	D-coded on RJ45 connector
Degree of protection	IP67 / IP20
Housing material	TPU/PA

Conductor data

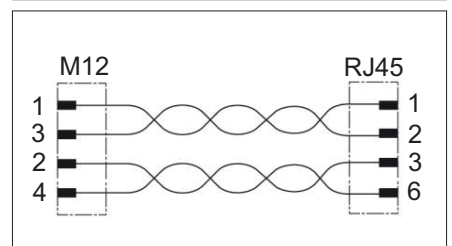
Cable type	Ethernet
Cable abbreviation	2x2xAWG26/7 PIMF
Conductor cross section	0,14 mm ²
AWG signal line	26
Conductor structure, signal line	7x0,15 mm
Core diameter including insulation	1,05 mm
External cable diameter	6,7 mm
Wire colors	white-green, white-orange
External sheath, color	water blue RAL 5021
Conductor resistance	≤ 150 Ω/km
Transmission characteristics (category)	CAT5 (IEC 11801:2002), CAT5e (TIA 568B:2001)
Working capacitance	42 pF
Wave impedance	100 Ω ±5% (At 100 MHz)
Signal speed	0,72 c
Shield attenuation	60 dB (Up to 1000 MHz)
Coupling resistance	5.00 mΩ/m (At 10 MHz)
Nominal voltage, conductor	max. 125 V
Test voltage, conductor	1000 V
Twisted pairs	2 cores to the pair
Type of pair shielding	Aluminum-lined polyester foil
Overall twist	Two pairs with two fillers to the core
Shielding	Tinned copper braided shield
Outer sheath, material	PUR
Material conductor insulation	Cell PE

type	Mat.-No.	length
straight connectors		
KSG 34A/KSG45AP0200G/E	11048502	2 m
KSG 34A/KSG45AP0500G/E	10165276	5 m
KSG 34A/KSG45AP1000G/E	11051929	10 m
other lengths on request		

pin assignment



pin assignment



connecting cable

ethernet cable, socket, straight M12 – RJ45 connector

Conductor data (cont.)	
Conductor material	Bare Cu litz wires
Cable weight	47 kg/km
Smallest bending radius, movable installation	Min. 35 mm
Smallest bending radius, fixed installation	Min. 35 mm
Tensile strength short-term/long-term	30N by installation / 10N after installation
Ambient temperature (operation)	-20 ... 60 °C (cable, fixed installation) 0 ... 50 °C (cable, flexible installation)
Special properties	Free of substances which would hinder coating with paint or varnish
Flame resistance	complying with IEC 60332-2-2
Halogen-free	complying with IEC 60754-1/2
Resistance to oil	in accordance with DIN EN 60811-2-1
Other resistance	Microbe resistance as per VDE 0282 section 10 Hydrolysis resistance as per DIN 53504