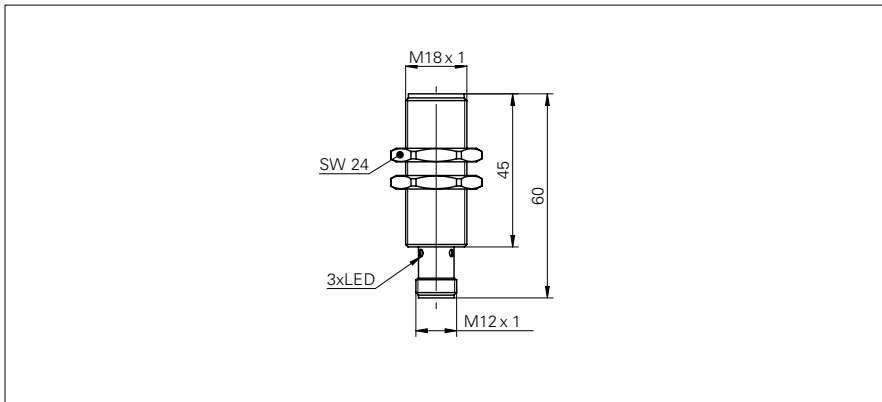


Inductive sensors special versions

IFRD 18P17A3/S14L

dimension drawing



general data

| | |
|--------------------------------|-------------------------------|
| mounting type | quasi-flush |
| special type | full metal housing (DuroProx) |
| nominal sensing distance S_n | 6 mm |
| hysteresis | 2 ... 20 % of S_r |
| output indicator | 3 port LED red |

electrical data

| | |
|------------------------------------|------------------------|
| switching frequency | < 100 Hz |
| voltage supply range +Vs | 10 ... 30 VDC |
| current consumption max. (no load) | 14 mA |
| output circuit | PNP make function (NO) |
| voltage drop V_d | < 2 VDC |
| output current | < 200 mA |
| short circuit protection | yes |
| reverse polarity protection | yes |

mechanical data

| | |
|---------------------------|------------------------------|
| type | cylindrical threaded |
| material (sensing face) | stainless steel 1.4404 (V4A) |
| housing material | stainless steel 1.4404 (V4A) |
| operating pressure static | < 20 bar |
| dimension | 18 mm |
| housing length | 60 mm |
| connection types | connector M12 |

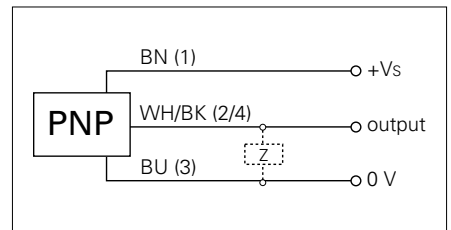
ambient conditions

| | |
|-----------------------|--------------------------------|
| operating temperature | -25 ... +75 °C |
| protection class | IP 68/67 (sensing face/sensor) |

photo



connection diagram



- Higher noise immunity (EMC), (EN 61000-6-2)