

Combination

Twin encoder with two electrically separated systems

Solid shaft with EURO flange B10

300...5000 pulses per revolution

POG 11 G



POG 11 G

Technical data - electrical ratings

Voltage supply	9...30 VDC 5 VDC \pm 5 %
Consumption w/o load	\leq 100 mA
Pulses per revolution	300...5000
Phase shift	90° \pm 20°
Duty cycle	40...60 %
Reference signal	Zero pulse, width 90°
Output frequency	\leq 120 kHz \leq 300 kHz (on request)
Output signals	K1, K2, K0 + inverted Error output (option EMS)
Output stages	HTL-P (power linedriver) TTL/RS422
Sensing method	Optical
Interference immunity	EN 61000-6-2
Emitted interference	EN 61000-6-3
Approvals	CE, UL approval / E256710

Features

- Twin encoder featuring two separate systems
- Offshore and salt water firm, high protection IP 67
- TTL output driver for cable length up to 500 m
- Very high resistance to shock and vibrations
- EURO flange B10 / solid shaft \varnothing 11 mm
- Large terminal boxes, turn by 180°

Optional

- Function control with EMS
(Enhanced Monitoring System)
- Redundant sensing with two terminal boxes
- Housing foot (B3)

Technical data - mechanical design

Size (flange)	\varnothing 115 mm
Shaft type	\varnothing 11 mm solid shaft
Admitted shaft load	\leq 300 N axial \leq 450 N radial
Flange	EURO flange B10
Protection DIN EN 60529	IP 67
Operating speed	\leq 12000 rpm (mechanical)
Operating torque typ.	2 Ncm
Rotor moment of inertia	212 gcm ²
Materials	Housing: aluminium die-cast Shaft: stainless steel
Operating temperature	-40...+100 °C -25...+100 °C (>3072 pulses per revolution)
Resistance	IEC 60068-2-6 Vibration 25 g, 10-2000 Hz IEC 60068-2-27 Shock 300 g, 6 ms
Corrosion protection	IEC 60068-2-52 Salt mist for ambient conditions CX (C5-M) according to ISO 12944-2
Explosion protection	II 3 G Ex nA IIC T4 Gc (gas) II 3 D Ex tc IIIC T135°C Dc (dust)
Connection	2x terminal box 3x terminal box (with option M)
Weight approx.	2.5 kg, 2.7 kg (with option M)

Combination

Twin encoder with two electrically separated systems

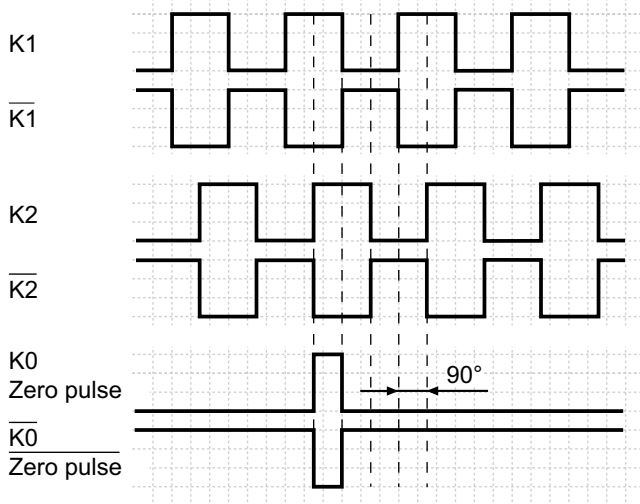
Solid shaft with EURO flange B10

300...5000 pulses per revolution

POG 11 G

Output signals

At positive rotating direction



Terminal significance

+UB	Voltage supply (for the device)
⊥; ⚡; GND; 0 V	Ground (for the signals)
⊕; ⚡	Earth ground (housing)
K1; A; A+	Output signal channel 1
K1̄; Ā; A-	Output signal channel 1 inverted
K2; B; B+	Output signal channel 2 (offset by 90° to channel 1)
K2̄; B̄; B-	Output signal channel 2 (offset by 90° to channel 1) inverted
K0; C; R; R+	Zero pulse (reference signal)
K0̄; C̄; R̄; R-	Zero pulse (reference signal) inverted
Err; Err-	Error output (option EMS)
dnu	Do not use

Accessories

Connectors and cables

HEK 8	Sensor cable for encoders
-------	---------------------------

Mounting accessories

K 35	Spring washer coupling for solid shaft $\varnothing 6...12$ mm
K 50	Spring washer coupling for solid shaft $\varnothing 11...16$ mm
K 60	Spring washer coupling for solid shaft $\varnothing 11...22$ mm

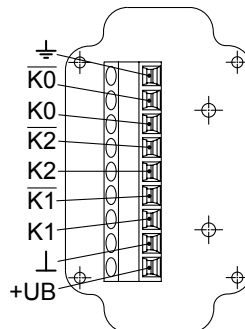
Diagnostic accessories

11075858	Analyzer for encoders HENQ 1100
----------	---------------------------------

Terminal assignment

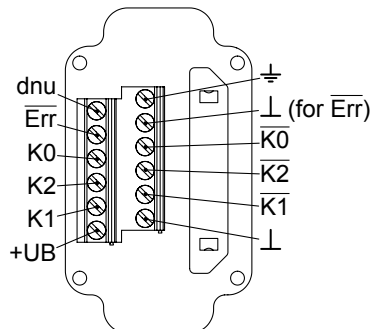
View A

Connecting terminal terminal box



Option EMS: View A

Connecting terminal terminal box



Option EMS: LED status / Error output

Flash light red*	Error of signal sequence, zero pulse or pulses (Error output = HIGH-LOW alternation)
Red	Overload output driver (Error output = LOW)
Flash light green	Device o.k., rotating (Error output = HIGH)
Green	Device o.k., stopped (Error output = HIGH)
No light	No voltage supply connection or wrong connection (Error output = LOW)

* Only at rotating device

