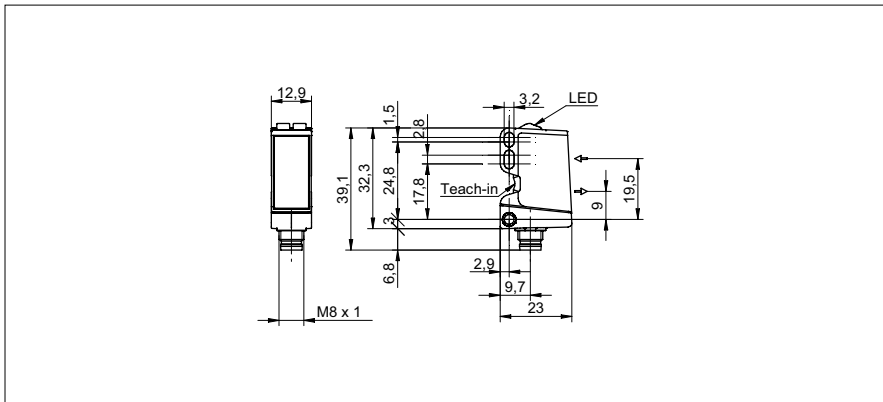


Distance sensors

O300.DL-11199079

dimension drawing



general data

| | |
|-------------------------------------|------------------------|
| type | distance measuring |
| version | IO-Link measuring |
| measuring distance Sd | 30 ... 250 mm |
| focal distance | 400 mm |
| adjustment | Teach-in and IO-Link |
| power on indication | LED green |
| light indicator | LED yellow |
| resolution | 0,5 ... 10 mm |
| linearity error | ± 1,5 ... ± 12,5 mm |
| light source | pulsed red laser diode |
| wave length | 656 nm |
| laser class | 1 |
| beam type | point |
| suppression of reciprocal influence | yes |
| alignment optical axis | < 2° |
| temperature drift | < 0,2 % Sde/K |

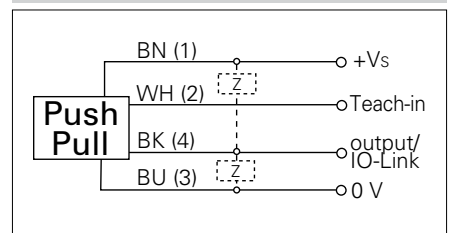
electrical data

| | |
|------------------------------------|---|
| response time / release time | < 0,25 ms |
| voltage supply range +Vs | 11 ... 30 VDC |
| current consumption max. (no load) | 30 mA |
| voltage drop Vd | < 2,5 VDC |
| output circuit | push-pull |
| baud rate | 230,4 kBaud (COM 3) |
| output current | < 100 mA |
| short circuit protection | yes |
| reverse polarity protection | yes |
| interface | IO-Link V1.1 |
| cycle time | ≥ 0,6 ms |
| process data length | 3 Byte |
| process data structure | Bit 0 = BDC1 Bit 2 = quality Bit 3 = alarm Bit 8-23 = 16 Bit measurement |

photo



connection diagram



laser warning

CLASS 1 LASER PRODUCT

IEC 60825-1/2014
Complies with 21 CFR 1040.10 and 1040.11
except for deviations pursuant to laser
notice No. 50, dated June 24, 2007



Distance sensors**O300.DL-11199079****mechanical data**

| | |
|------------------|---------------------|
| width / diameter | 12,9 mm |
| height / length | 32,3 mm |
| depth | 23 mm |
| type | rectangular |
| housing material | plastic (ASA, PMMA) |
| front (optics) | PMMA |
| connection types | connector M8 4 pin |

ambient conditions

| | |
|-----------------------|----------------|
| operating temperature | -10 ... +60 °C |
| protection class | IP 67 |