

DLM20-BU

Compact button load cells for industrial applications

DLM20-BU.###.CP3.M4

Overview

- Compression load from 50 N
- Non-linearity < 0.2 %
- Small outer diameter for limited space conditions
- Sensor body made of stainless steel with protection class IP68
- Fully welded sensor design
- Durable with 100% working stroke



Technical data

general data

Nominal force	50 ... 2000 N
Non-linearity	< 0.2 %
Repeatability	< 0.1 %
Temperature effect zero	< 0.2 % / 10K
Zero point deviation	< 20 %
Type	Button
Mechanical mounting	4 x M2 screws / loose

electrical data

Nominal sensitivity	1 mV/V
Bridge resistance	1000 Ω
Supply voltage	0.5 ... 12 VDC
Signal polarity positive	Compression

mechanical data

Overload	150 %
Breaking load	200 %

mechanical data

Nominal displacement	13 μm
Weight	14 g
Material sensor body	Stainless steel, 1.4542
Fatigue strength	>10 Mio cycles at 0...100% FS
Electrical connection	M5, 4 pin, male

environmental conditions

Operating temperature range	-40 ... 85 °C
Storage temperature range	-40 ... 85 °C
Protection class EN 60529, ISO20653	IP 68

compliance and approvals

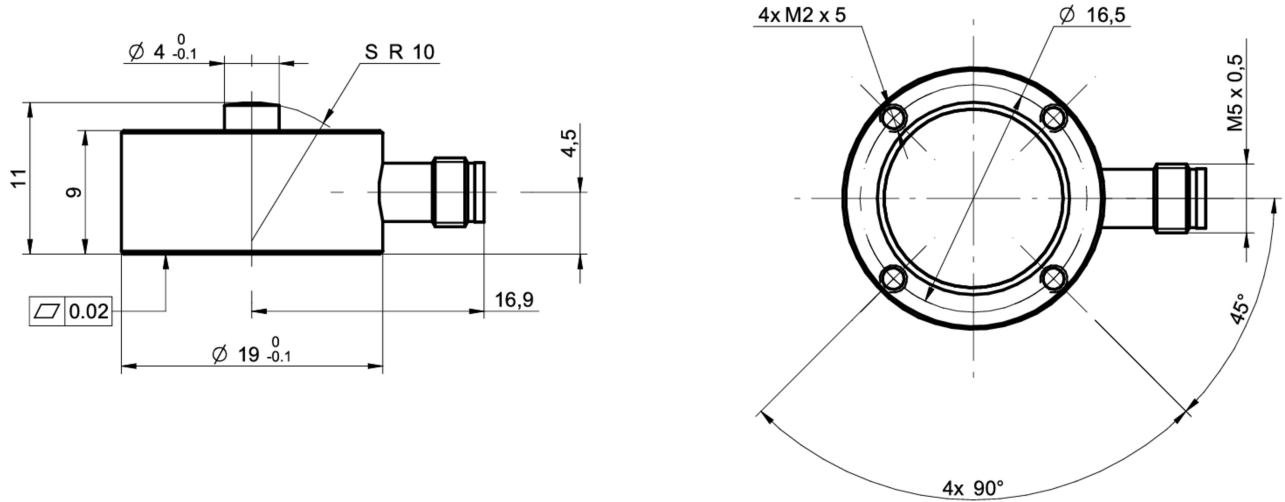
EMC	EN 61000-6-2 EN 61000-6-3 EN 61326-2-3
UL listed	E217824

DLM20-BU

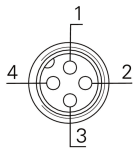
Compact button load cells for industrial applications

DLM20-BU.###.CP3.M4

Dimensional drawings



Electrical connection



- 1 +Vs
- 2 Sig +
- 3 -Vs
- 4 Sig -

Ordering key - Configuration possibilities see website

	DLM	20	-	BU	.	###	.	C	P3	.	M4
Product group	Membrane force sensor										
	DLM										
Size category	20										
Type	Button										
				BU							
Nominal force	50 N										
											500
	100 N										
											101
	200 N										
											201
	500 N										
											501
	1 kN										
											102
	2 kN										
											202
Measuring direction positive	Compression										
											C
Output signal	Nominal sensitivity 1.00 mV/V										
											P3
Electrical connection	M5, 4 pin, male										
											M4