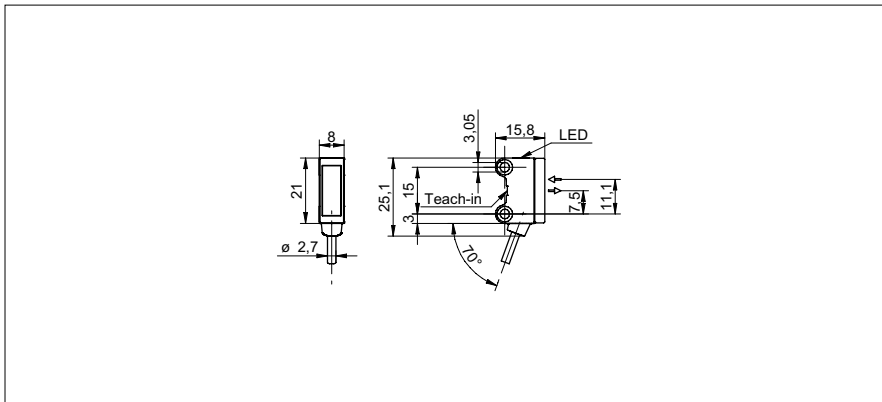


**Retro-reflective sensors**

**O200.RP-11212616**

**dimension drawing**



**general data**

type	retro-reflective sensor
light source	pulsed PinPoint LED
actual range Sb	3 m
nominal range Sn	4 m
smallest object recognizable typ.	4 mm (FTAR 013A000)
polarization filter	yes
alignment / soiled lens indicator	flashing output indicator
output indicator	LED yellow
power on indication	LED green
sensitivity adjustment	qTeach
wave length	644 nm
suppression of reciprocal influence	yes
alignment optical axis	< 1,5°

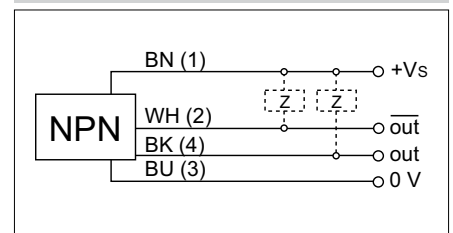
**photo**



**electrical data**

response time / release time	< 0,25 ms
voltage supply range +Vs	10 ... 30 VDC
current consumption max. (no load)	40 mA (@ 10 VDC)
current consumption typ.	16 mA (@ 24 VDC)
voltage drop Vd	< 2 VDC
output function	light / dark operate
output circuit	NPN complementary
output current	< 50 mA
short circuit protection	yes
reverse polarity protection	yes

**connection diagram**



**mechanical data**

width / diameter	8 mm
height / length	25,1 mm
depth	15,8 mm
type	rectangular
mechanical mounting	sleeve smooth (stainless steel)
housing material	plastic (ASA, PMMA)
front (optics)	PMMA
connection types	cable 4 pin, 2 m
cable characteristics	PVC / PVC 4 x 0,08 mm <sup>2</sup>



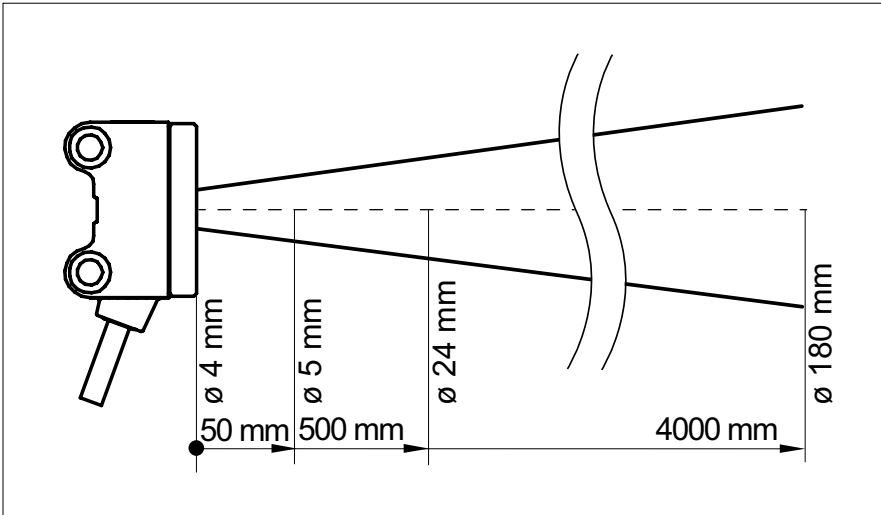
## Retro-reflective sensors

**O200.RP-11212616**

### ambient conditions

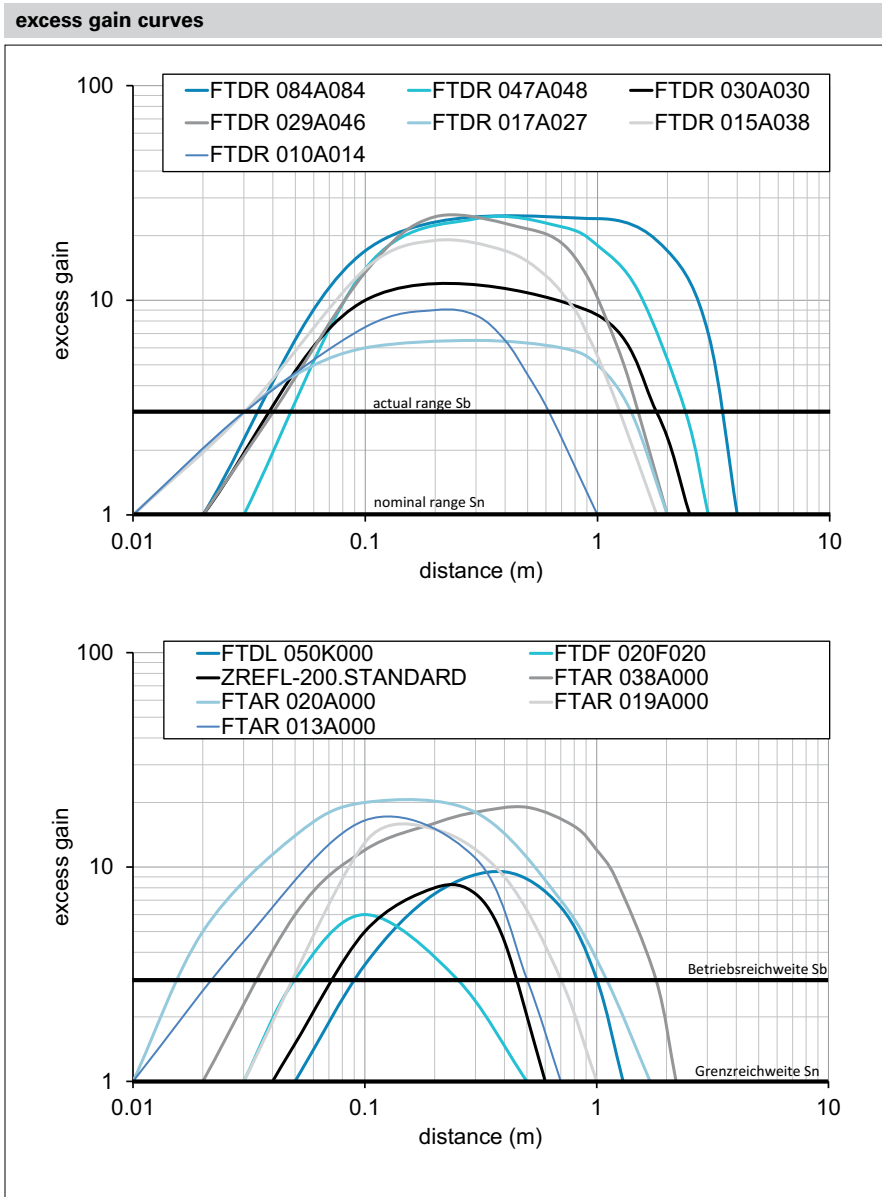
operating temperature	-25 ... +50 °C
protection class	IP 67

### beam characteristic (typically)



Retro-reflective sensors

O200.RP-11212616



**Retro-reflective sensors**

**O200.RP-11212616**

