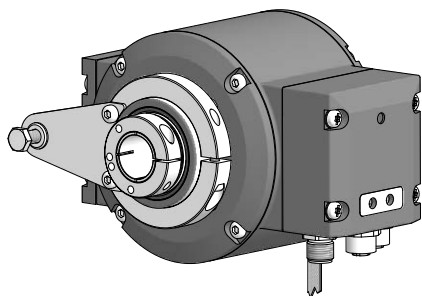


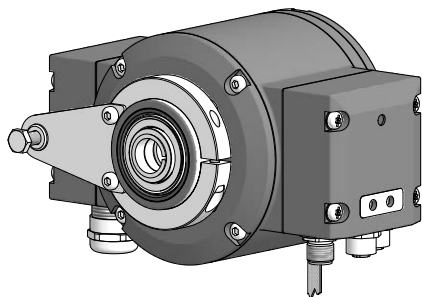
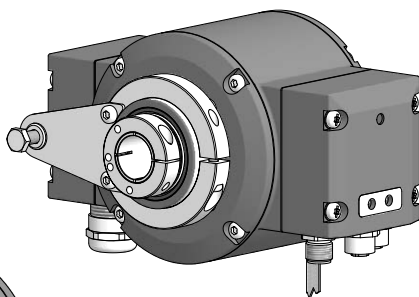


Mounting and operating instructions



PROFI[®]
NET

microGen
Energy Harvesting



HMG10 • HMG10P
Absolute encoder PROFINET
with magnetic sensing

5.2	Terminal box [B]	15
5.2.1	Terminal significance	15
5.2.2	Additional output incremental (option)	15
5.2.2.1	Output signals	15
5.2.2.2	Trigger level	16
5.2.3	Programming interface (only HMG10P)	16
5.2.4	LED function displays	16
5.2.5	Switching characteristics speed switch (option)	17
5.2.6	Cable connection	18
5.2.7	Assignment connecting terminal	19
5.3	Accessory Z-PA.SDL.1 <i>WLAN adapter</i> : Programming device for HMG10P	19
6.	DIMENSIONS	20
6.1	Blind hollow shaft	20
6.2	Through hollow shaft	21
6.3	Cone shaft	22
7.	DISMOUNTING	23
7.1	Blind hollow shaft or cone shaft	23
7.1.1	Step 1	23
7.1.2	Step 2	23
7.1.3	Step 3	24
7.1.4	Step 4	24
7.2	Through hollow shaft	25
8.	TECHNICAL DATA	26
8.1	Technical data - electrical ratings	26
8.2	Technical data - electrical ratings (speed switches)	26
8.3	Technical data - mechanical design	27

1. IMPORTANT NOTES

1.1 Symbol guide



Warning

Disregarding could result in serious injury, death or damage to property



Attention

Disregarding could result in damage to property or damage/malfunction of the device



Information

Additional information and recommendations

1.2 Intended use

The encoder HMG10/HMG10P is a precision measurement device for the acquisition of speed/position information for the control of drive units and the provision of electronic output signals for downstream devices.

The device must not be used for any other purpose. The function of the device is described in this mounting instruction. The customer must check the suitability for the purpose intended.

Mounting and selection must be executed by authorized and qualified personnel. Mounting, electrical commissioning or any other work with the device or system is to be performed by appropriately qualified staff only.

Do not put the device into service if there is any visible evidence of damage.

Do not operate the device beyond the limit values stated in this mounting instruction.

Any risk of personal injury, damage of the system or company equipment due to failure or malfunction of the device must be eliminated by corresponding safety measures.



Warning

Disregarding intended use could result in serious injury or damage to property.

1.3 Exclusion from liability

The manufacturer is not liable for any damage to persons or property resulting from unintended use of the device.

1.4 Maintenance and service life

The device may be only opened as described in this instruction. Repair or maintenance work that requires opening the device completely must be carried out by the manufacturer. Alterations of the device are not permitted.

The expected service life of the device depends on the ball bearings, which are equipped with a permanent lubrication.

In the event of queries or subsequent deliveries, the data on the device type label must be quoted, especially the type designation and the serial number.

1.5 Approvals and warranty

EU Declaration of Conformity meeting to the European Directives.

UL approval / E256710.

We grant a 2-year warranty in accordance with the regulations of the Central Association of the German Electrical Industry (ZVEI).



warranty seal

Damaging the warranty seal on the device invalidates warranty.

1.6 Operating and storage temperature range

The storage temperature range of the device is between -15 °C and +70 °C (caused by packing).

The operating temperature range of the device is between -40 °C and +85 °C, measured at the housing.

1.7 Disposal (environmental protection)



Do not dispose of electrical and electronic equipment in household waste. The product contains valuable raw materials for recycling. Whenever possible, waste electrical and electronic equipment should be disposed locally at the authorized collection point. If necessary, Baumer gives customers the opportunity to dispose of Baumer products professionally. For further information see www.baumer.com.

2. SAFETY AND ATTENTION INSTRUCTIONS

2.1 Safety instructions



Explosion risk

Spark formation can cause a fire or an explosion.

- » Do not use the device in areas with explosive and/or highly inflammable materials. They may explode and/or catch fire by possible spark formation.



Risk of serious injuries due to rotating shafts

Hair and clothes may become tangled in rotating shafts. Touching the rotating parts can cause extremely serious injuries.

- » Before all work switch off all voltage supplies and ensure machinery is stationary.
- » Prevent reconnection voltage supply by third parties.



Risk of serious injuries due to consequential damages

Plants can be deregulated due to malfunction or faulty signals of the device.

- » Damage caused by faulty operation or by a malfunction of the device must be eliminated by corresponding safety measures.



Risk of burns due to formation of heat

The device heats up at higher speed so there is a serious risk of burning shortly after the machine has been turned off.

- » Examine carefully whether the device overheats. Wear suitable gloves if necessary.

2.2 Attention instructions for mounting and operation



Risk of destruction due to electrostatic charge

Electronic parts contained in the device are sensitive to high voltages.

- » Do not touch plug contacts or electronic components.
- » Protect output terminals against external voltages.
- » Do not exceed maximum voltage supply.



Risk of destruction due to mechanical overload

Rigid mounting may give rise to constraining forces.

- » Never restrict the freedom of movement of the device. The mounting instructions must be followed.
- » It is essential that the specified clearances and/or angles are observed.



Risk of destruction due to mechanical shock

Violent shocks, e. g. due to hammer impacts, can lead to the destruction of the sensing system.

- » Never use force. Mounting is simple when correct procedure is followed.
- » Use suitable puller for dismounting.



Risk of destruction due to contamination

Dirt penetrating inside the device can cause short circuits and damage the sensing system.

- » Absolute cleanliness must be maintained when carrying out any work on the device.
- » Never allow lubricants to penetrate the device.



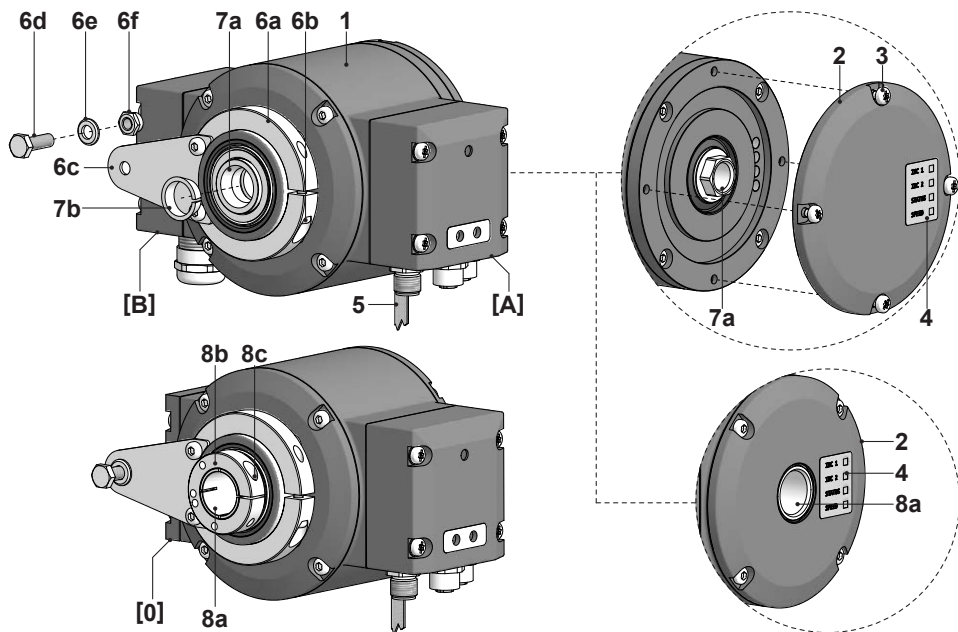
Risk of destruction due to adhesive fluids

Adhesive fluids can damage the sensing system and the ball bearings. Dismounting a device, secured to a shaft by adhesive may lead to the destruction of the device.

- » Do not use adhesive fluids for fixing.

3. PREPARATION

3.1 Scope of delivery



- 1 Housing
 - 2 Cover
 - 3 Torx/slotted screw - DIN 7964, M4x10 mm
 - 4 LED function indicators
 - 5 Earthing strap, length ~230 mm
- Equipment for mounting a torque arm:
- 6a Clamping ring adjustable through 360°
 - 6b Torx/slotted screw M4x20 mm, ISO 7045
 - 6c Support plate
 - 6d Hexagon screw M6x18 mm, ISO 4017
 - 6e Washer B6.4, ISO 7090
 - 6f Self-locking nut M6, ISO 10511

Blind hollow shaft* or cone shaft*:

- 7a Blind hollow shaft or cone shaft with spanner flat 17 a/f
- 7b Clamping element, not for cone shaft

Through hollow shaft*:

- 8a Through hollow shaft
- 8b Clamping ring
- 8c Torx screw M3x12 mm, ISO 7045

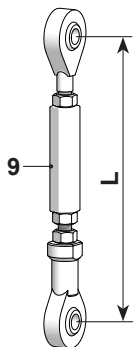
Radial terminal boxes* (see *section 5*):

- [A] Bus connecting box PROFINET
- [B] Additional output incremental (option)
Speed switch (option)
Programming interface (only HMG10P)
- [0] Blind cover - device without additional output, without speed switch and without programming interface

* Depending on version

3.2 Required accessory for mounting/dismounting (not included in scope of delivery)

i Connecting cables and respective connectors are required for the electrical connection. Details see *section 5, page 13*.



Torque arm, length L / order number

9 Standard:

67...70 mm / 11043628

125 (±5) mm, can be shortened to ≥71 mm / 11004078

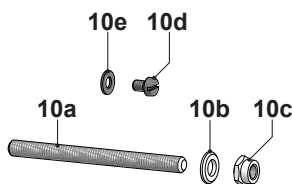
440 (+20/-15) mm, can be shortened to ≥131 mm / 11002915

9 Insulated:

67...70 mm / 11054917

125 (±5) mm, can be shortened to ≥71 mm / 11072795

440 (+20/-15) mm, can be shortened to ≥131 mm / 11082677



Mounting kit, order number 11077197:

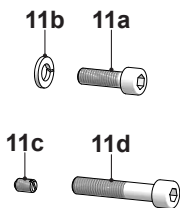
10a Thread rod M6, length variable ≤210 mm

10b Washer B6.4, ISO 7090

10c Self-locking nut M6, ISO 10511

10d Cylinder screw M6x8 mm for earthing strap, ISO 1207

10e Washer B6.4 for earthing strap, ISO 7090



Mounting/dismounting kit, order number 11077087:

(Not required for through hollow shaft)





11a Cylinder screw M6x30 mm, ISO 4762

11b Spring washer 6, DIN 7980

11c Setscrew M6x10 mm, ISO 7436

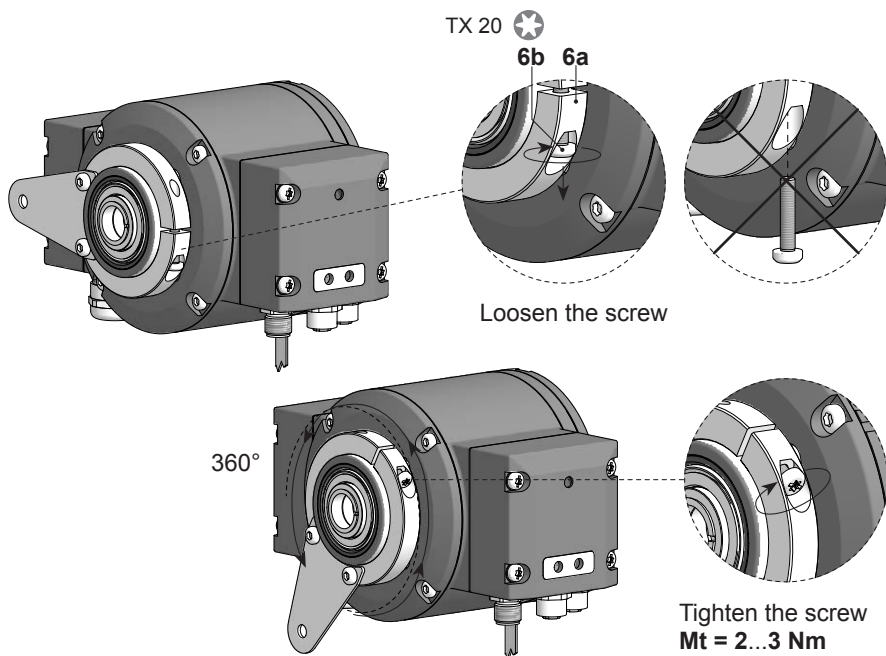
11d Cylinder screw M8x45 mm, ISO 4762

3.3 Required tools (not included in scope of delivery)

-  3, 5 and 6 mm
-  1.6x8.0 mm and 0.8x4 mm
-  10 (2x), 17 and 22 mm
-  TX 10, TX 20

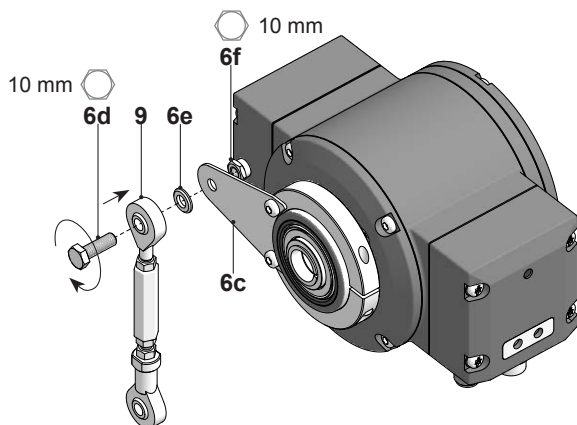
4. MOUNTING

4.1 Positioning the support plate





4.2 Mounting the torque arm at the device

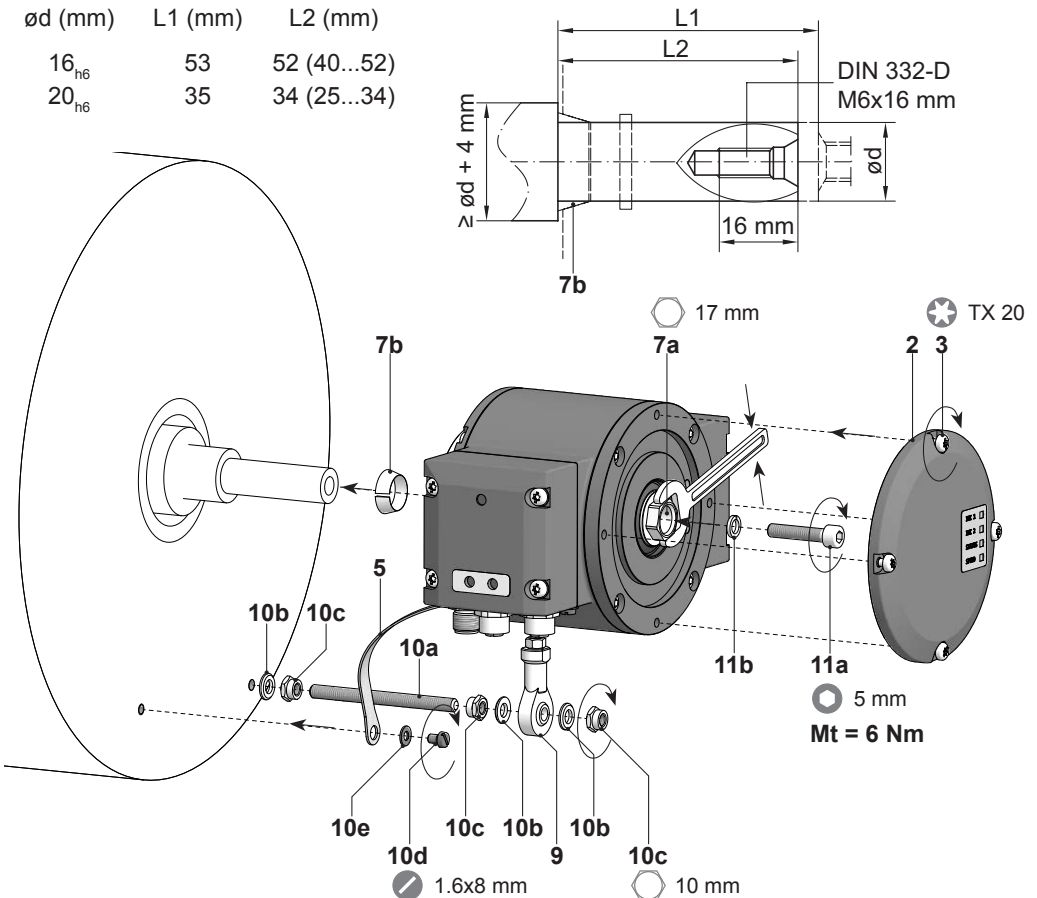
» Note the mounting instructions for the torque arm in *section 4.4, page 11.*



4.3 Mounting to drive shaft

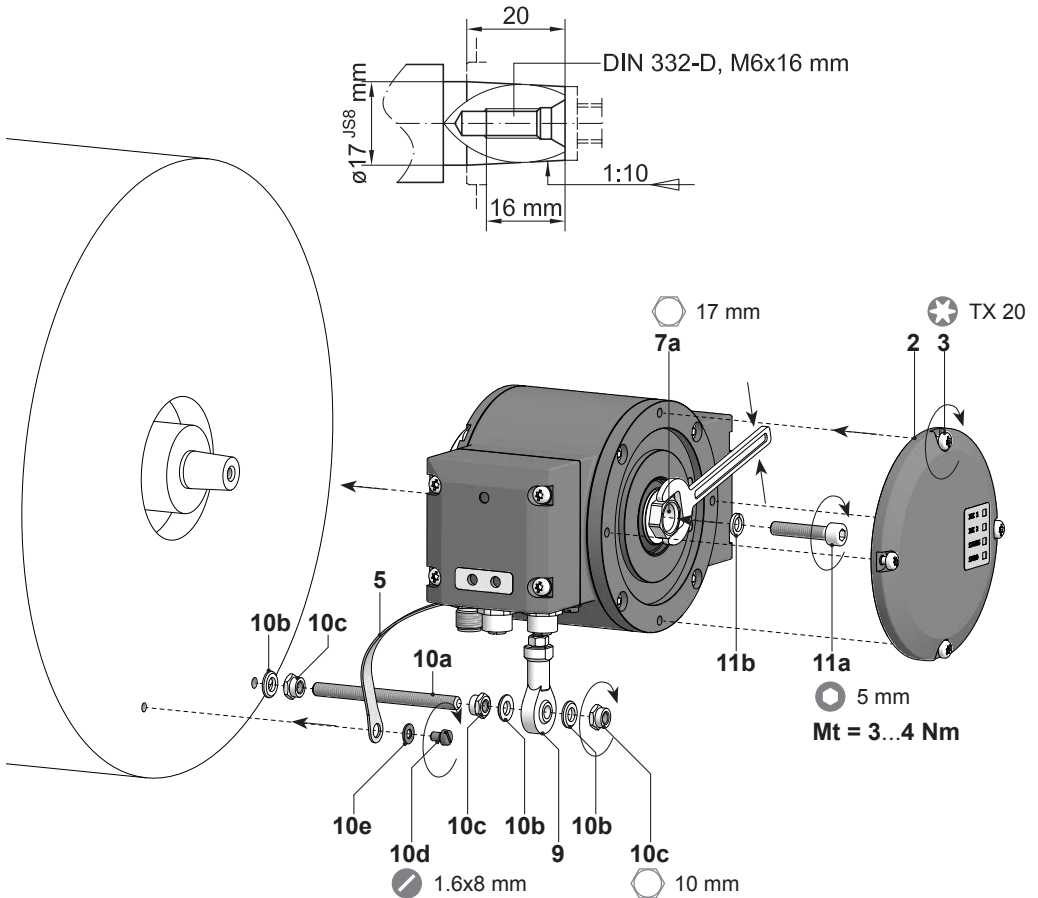
4.3.1 Blind hollow shaft

-  **Service life restrictions and angle error by runouts**
 High runout of the drive shaft can cause device angle error, see *section 4.5, page 12*.
 High runout of the drive shaft can cause vibrations, which can shorten the service life of the device.
- » Lubricate drive shaft!
 - » Minimize drive shaft runout (≤ 0.2 mm; ≤ 0.03 mm recommended).
-  The device must be mounted with cable connection facing downward and not exposed to water.



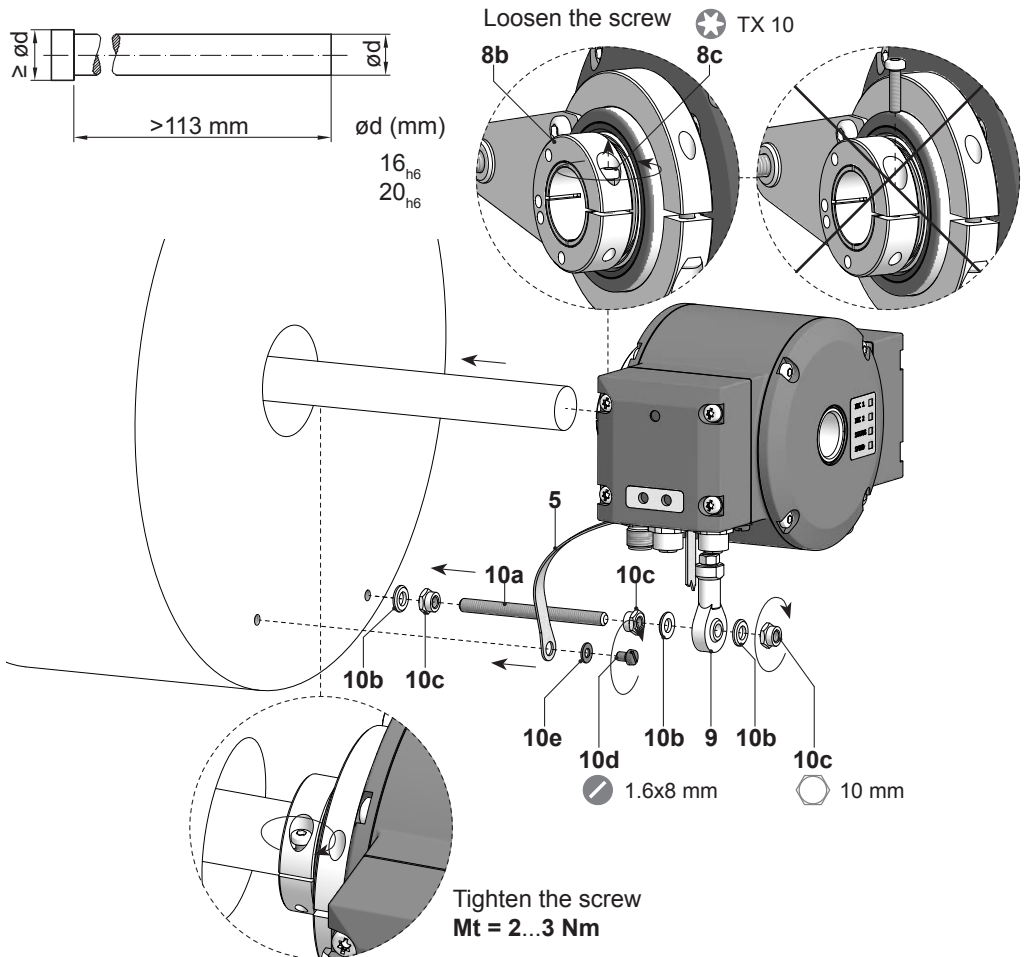
4.3.2 Cone shaft

- ☞ **Service life restrictions and angle error by runouts**
 High runout of the drive shaft can cause device angle error, see *section 4.5, page 12*.
 High runout of the drive shaft can cause vibrations, which can shorten the service life of the device.
- » Lubricate drive shaft!
- » Minimize drive shaft runout (≤ 0.2 mm; ≤ 0.03 mm recommended).
- i The device must be mounted with cable connection facing downward and not exposed to water.



4.3.3 Through hollow shaft

- ☞ **Service life restrictions and angle error by runouts**
 High runout of the drive shaft can cause device angle error, see *section 4.5, page 12*.
 High runout of the drive shaft can cause vibrations, which can shorten the service life of the device.
- » Lubricate drive shaft!
- » Minimize drive shaft runout (≤ 0.2 mm; ≤ 0.03 mm recommended).
- i The device must be mounted with cable connection facing downward and not exposed to water.



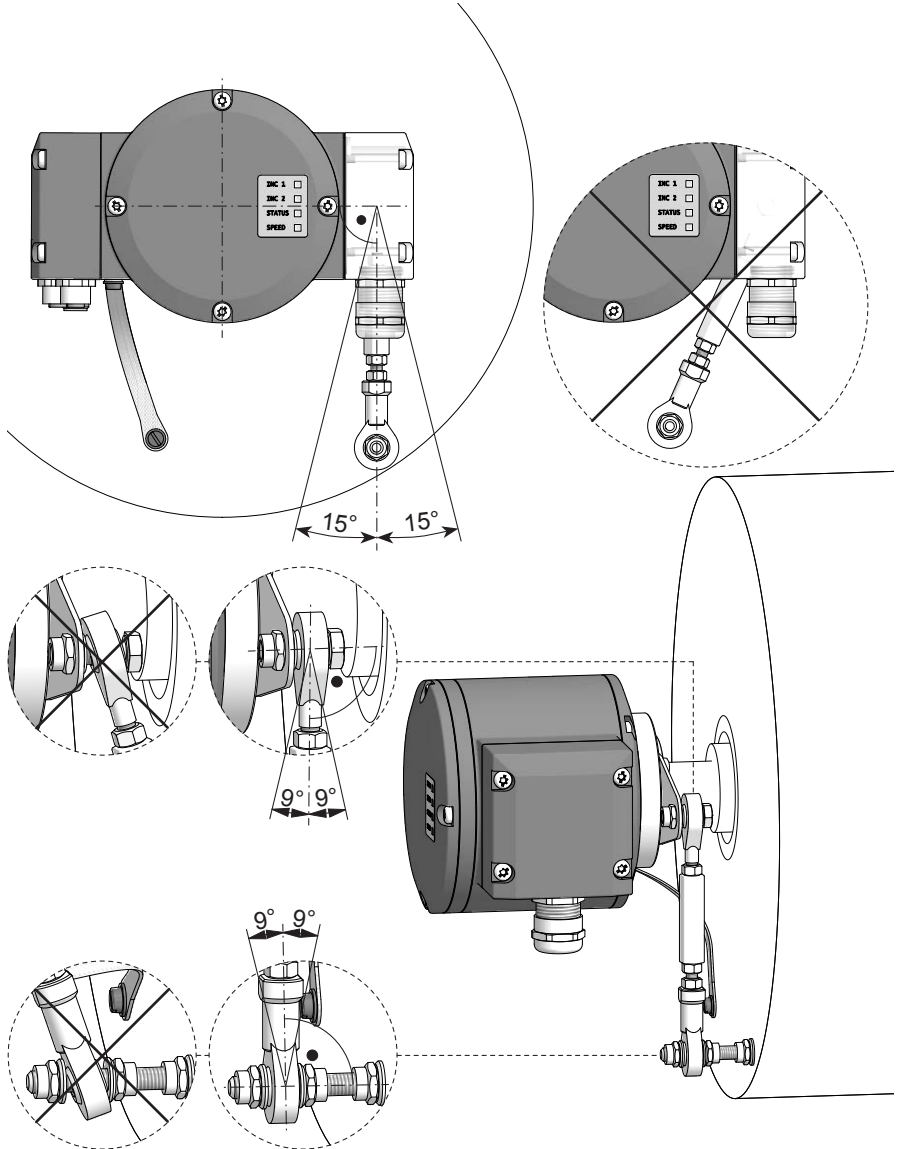
4.4 Drive side mounting of the torque arm



Service life restrictions and angle error by runouts

A play of just ± 0.03 mm, results in a runout of the device of 0.06 mm. That may lead to a large angle error, see *section 4.5, page 12*.

» Mount the torque arm without play.



4.5 How to prevent measurement errors

To ensure that the device operates correctly, it is necessary to mount it accurately as described in section 4.1 to 4.4, which includes correct mounting of the torque arm.

The radial runout of the drive shaft should not exceed 0.2 mm (0.03 mm recommended), to prevent an angle error.

An angle error may be reduced by increasing the length of L1 ¹⁾. Make sure that the length L2 of the torque arm, see below, is at least equal to L1 ²⁾.

The angle error $\Delta\rho_{\text{mech}}$ can be calculated as follows:

$$\Delta\rho_{\text{mech}} = \pm 90^\circ / \pi \cdot R / L1$$

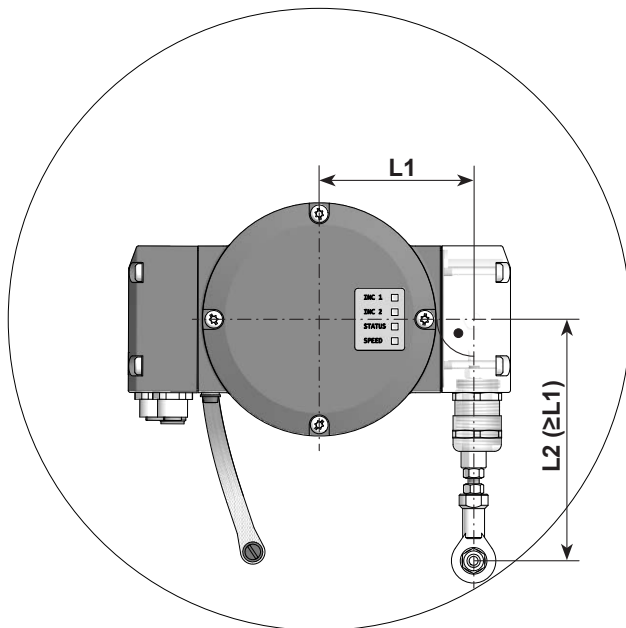
with R: Radial runout in mm

L1: Distance of the torque arm to the center point of the device in mm

Example of calculation:

For R = 0.06 mm and L1 = 69.5 mm the resulting angle error $\Delta\rho_{\text{mech}}$ equals $\pm 0.025^\circ$.

i For more information, call the telephone hotline at +49 (0)30 69003-111.



¹⁾ For this different support plates for the torque arm are available on request.

²⁾ If $L2 < L1$, L2 must be used in the calculation formula.

5. ELECTRICAL CONNECTION


5.1 PROFINET

i Detailed instruction for the [PROFINET interface](#) and the [device description file GSDML](#) can be found on our website www.baumer.com.

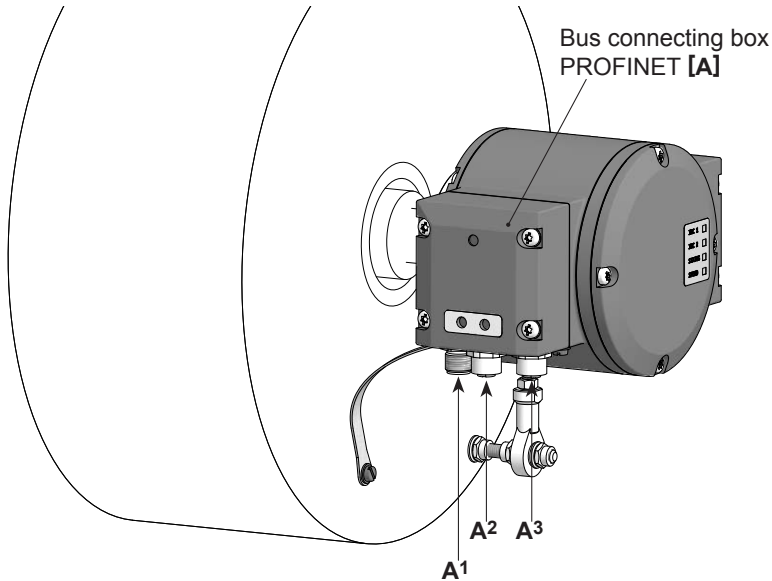
5.1.1 Features

Bus protocol	PROFINET
Device profile	Encoder profile PNO 3.162
Features	100 MBaud Fast Ethernet IP address programmable Realtime (RT) Class 1, IRT Class 2, IRT Class 3
Process data	Position value 32 bit input data

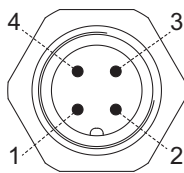
5.1.2 Terminal assignment

-  Use connecting cable and connector exclusively in accordance to the PROFINET directive.

5.1.2.1 Bus connecting box PROFINET [A] - connectors

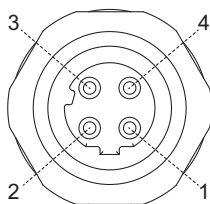


5.1.2.2 View A¹ - connector M12 „Voltage supply“ (male, 4-pin, A-coded)



MALE	CONNECTION	DESCRIPTION
1	UB	Voltage supply 10...30 VDC
2	-	Do not use
3	GND	Ground for UB
4	-	Do not use

5.1.2.3 View A² and A³ - connector M12 „Data transmission“ (female, 4-pin, D-coded)



FEMALE	CONNECTION	DESCRIPTION
1	TxD+	Transmission data+
2	RxD+	Receiving data+
3	TxD-	Transmission data-
4	RxD-	Receiving data-

5.2 Terminal box [B]

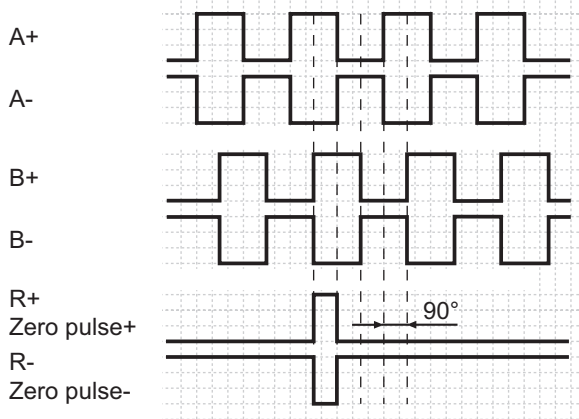
5.2.1 Terminal significance

Ub ³⁾	Voltage supply
0V ³⁾	Ground
A+ ³⁾	Output signal channel 1
A- ³⁾	Output signal channel 1 inverted
B+ ³⁾	Output signal channel 2 (offset by 90° to channel 1)
B- ³⁾	Output signal channel 2 inverted
R+ ³⁾	Zero pulse (reference signal)
R- ³⁾	Zero pulse inverted
nE+	System OK+ / error output
nE-	System OK- / error output inverted
SP+ ⁴⁾	DSL_OUT1 / speed switch (open collector* or solid state relay*)
SP- ⁴⁾	DSL_OUT2 / speed switch (0V* or solid state relay*)
SA ⁵⁾	RS485+ / programming interface
SB ⁵⁾	RS485- / programming interface
dnu	Do not use

5.2.2 Additional output incremental (option)

5.2.2.1 Output signals

At positive rotating direction



* Depending on version

³⁾ Additional output incremental (option)


⁴⁾ Speed switch (option)

⁵⁾ Programming interface (only HMG10P)

5.2.2.2 Trigger level

Trigger level: TTL/RS422
 High / Low: $\geq 2.5 \text{ V} / \leq 0.5 \text{ V}$
 Transmission length: $\leq 550 \text{ m @ } 100 \text{ kHz}$
 Output frequency: $\leq 600 \text{ kHz}$

Trigger level: TTL/HTL (Vin = Vout)
 High / Low: $\geq 2.5 \text{ V} / \leq 0.5 \text{ V (TTL)} \mid \geq U_b - 3 \text{ V} / \leq 1.5 \text{ V (HTL)}$
 Transmission length: $\leq 550 \text{ m @ } 100 \text{ kHz (TTL)} \mid \leq 350 \text{ m @ } 100 \text{ kHz (HTL)}$
 Output frequency: $\leq 600 \text{ kHz (TTL)} \mid \leq 350 \text{ kHz (HTL)}$

 Electrically isolated: The TTL/HTL (Vin = Vout) output at the additional output incremental is electrically isolated and requires a separate power supply.

5.2.3 Programming interface (only HMG10P)

Via connection SA and SB, encoder parameters such as additional output, switch-off and switch-on speeds can be changed and read out. With the Z-PA.SDL.1 *WLAN adapter*, available as accessory, see *section 5.3*, the encoder can be accessed via a web browser.

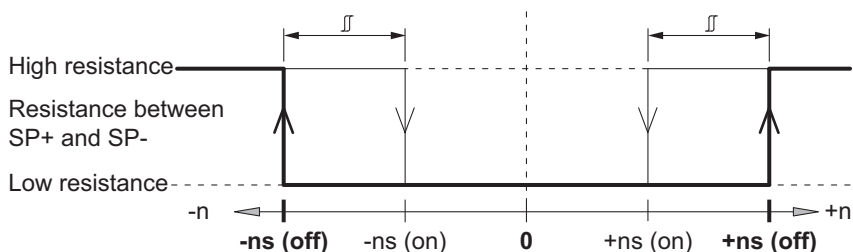
5.2.4 LED function displays

LED	Red	Green
INC1	Without function	Without function
INC2 (additional output incremental)	Undervoltage Overload Over-temperature	OK
Status	Internal error	OK
Speed	Speed higher switching speed (overspeed)	Speed lower switching speed

5.2.5 Switching characteristics speed switch (option)

i The factory setting of the switching speed for the HMG10P is 6000 rpm. The HMG10 without programming interface is delivered with the individually ordered fixed switching speed.

Event	State of the speed switch output
During initialisation	High resistance (overspeed)
After initialisation and speed $\leq -n_s$ (off)	High resistance (overspeed)
$-n_s$ (off) < speed $\leq -n_s$ (on)	State unchanged Low resistance (no overspeed) after initialisation if the device is rotating between the switching range during initialisation.
$-n_s$ (on) < speed < $+n_s$ (on)	Low resistance (no overspeed)
$+n_s$ (on) \leq speed < $+n_s$ (off)	State unchanged Low resistance (no overspeed) after initialisation if the device is rotating between the switching range during initialisation.
$+n_s$ (off) \leq speed	High resistance (overspeed)



n = Speed

+ns (off) = Switch-off speed at shaft rotation in positive rotating direction*

-ns (off) = Switch-off speed at shaft rotation in negative rotating direction*

Switching hysteresis Δ : 5...100 % (factory setting = 10 % min. 1 Digit)

+ns (on) = Switch-on speed at shaft rotation in positive rotating direction*

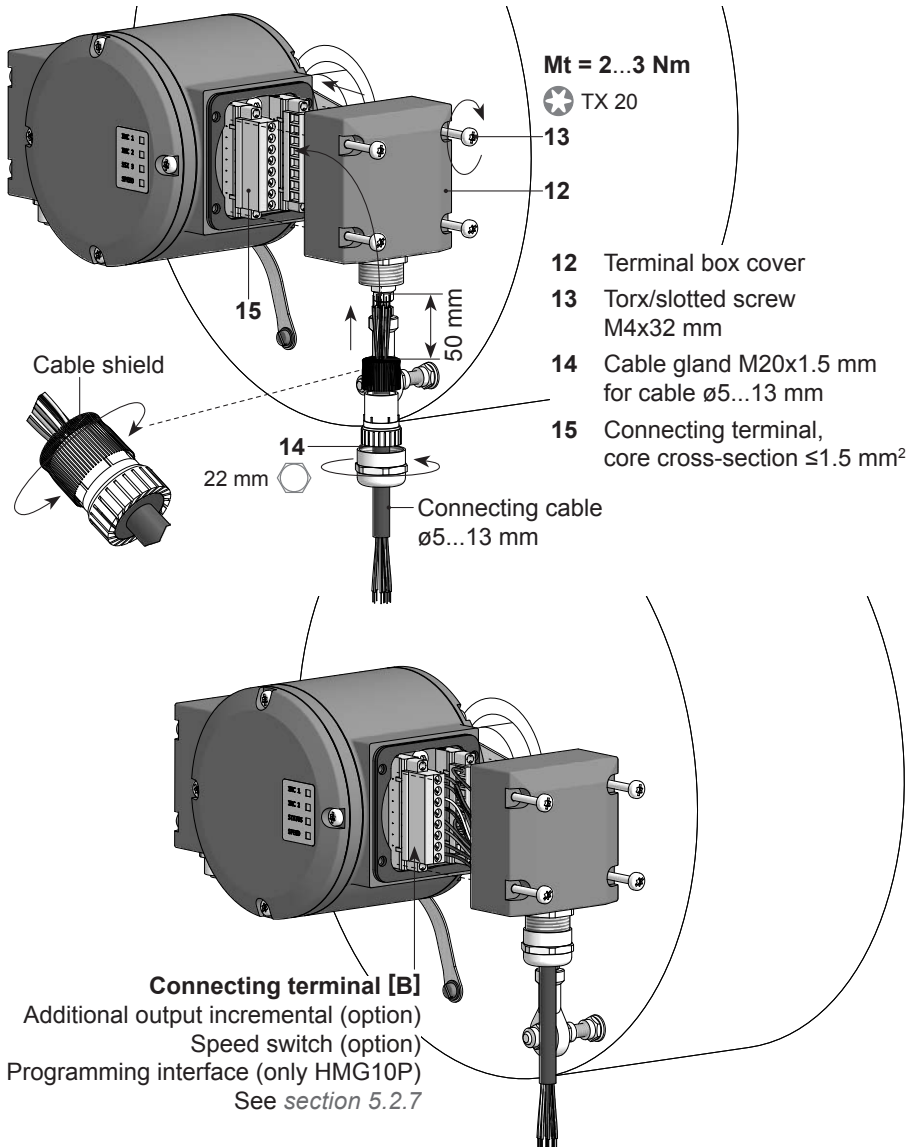
-ns (on) = Switch-on speed at shaft rotation in negative rotating direction*

* See section 6, page 20

5.2.6 Cable connection

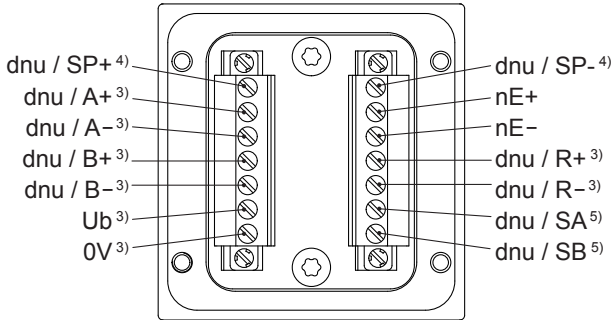
☞ To ensure the specified protection of the device the correct cable diameter must be used.

Connecting cables are not in scope of delivery.



5.2.7 Assignment connecting terminal

- ☞ Do not connect voltage supply to outputs! Danger of damage!
Please, beware of possible voltage drop in long cable leads (inputs and outputs)!
- ☞ The TTL/HTL ($V_{in} = V_{out}$) output at the additional output incremental is electrically isolated and requires a separate power supply.



- ³⁾ Additional output incremental (option)
- ⁴⁾ Speed switch (option)
- ⁵⁾ Programming interface (only HMG10P)

5.3 Accessory Z-PA.SDL.1 WLAN adapter: Programming device for HMG10P

The Z-PA.SDL.1 *WLAN adapter* is a programming device for programming and monitoring HMG10P/PMG10P series encoders.

The following encoder parameters can be parameterized (depending on the version of the encoder):

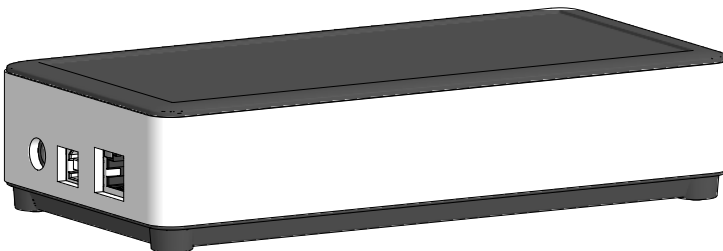
- Additional output 1 and 2 (number of pulses per revolution)
- Switch-off and switch-on speeds

The programming device can be configured and operated via a web browser.

i A detailed description of all available functions can be found in the mounting and operating instructions of the *WLAN adapter*.

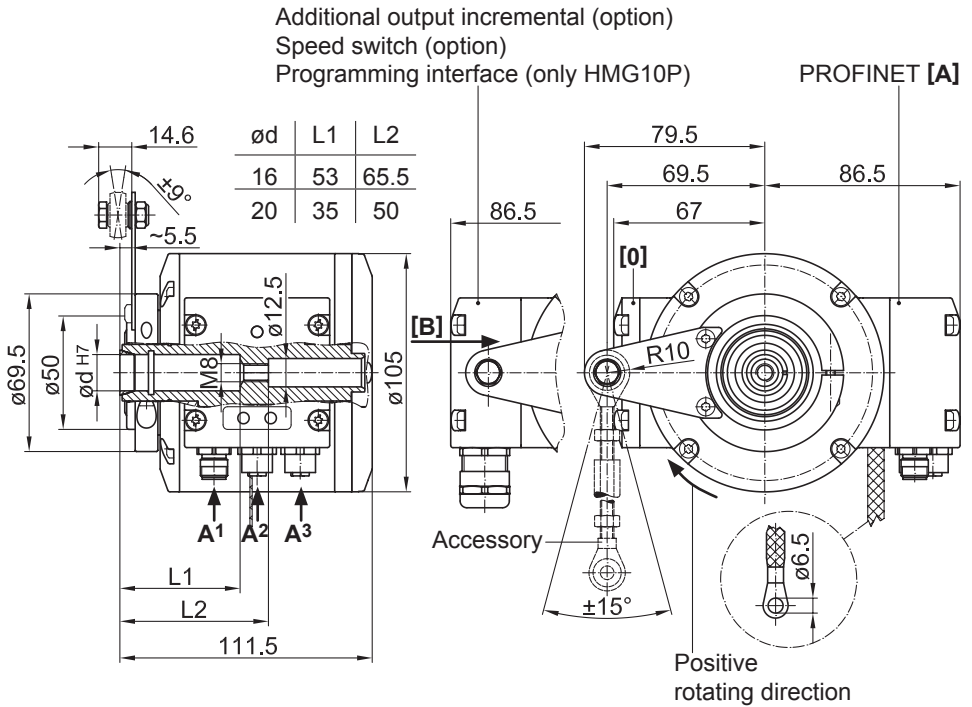
Z-PA.SDL.1 *WLAN adapter*

Part number
11190106

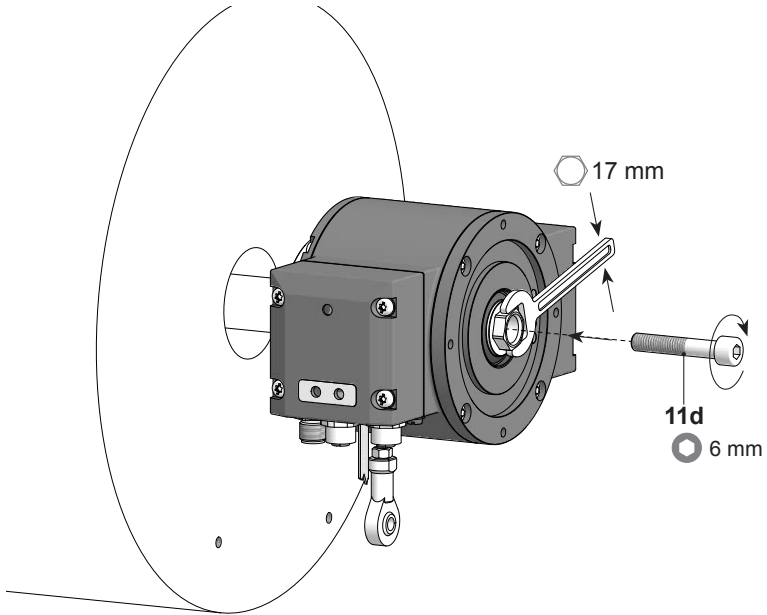
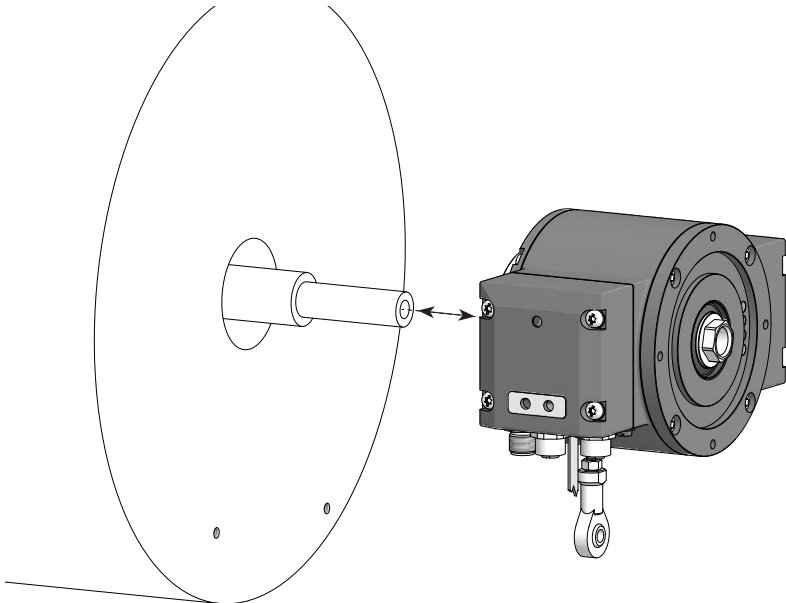


6. DIMENSIONS

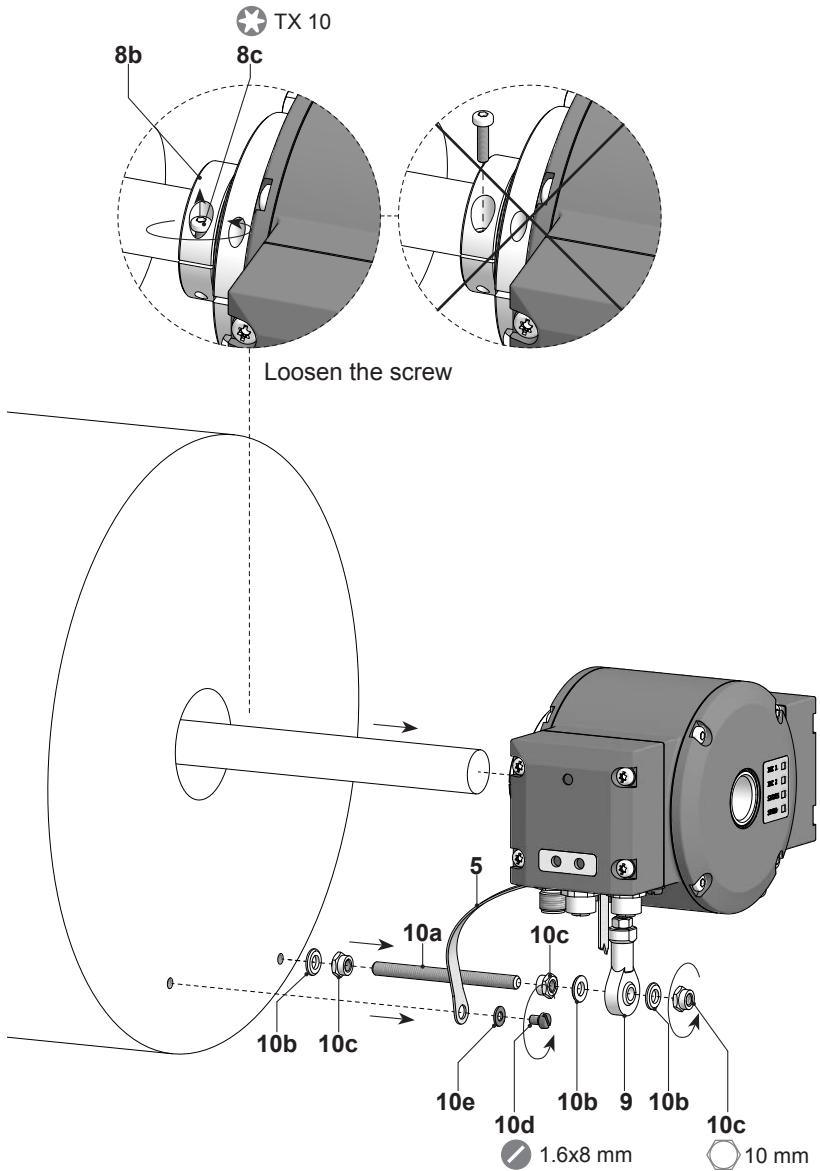
6.1 Blind hollow shaft



All dimensions in millimeters, unless otherwise stated.

7.1.3 Step 3**7.1.4 Step 4**

7.2 Through hollow shaft



8. TECHNICAL DATA

8.1 Technical data - electrical ratings

Voltage supply	10...30 VDC
Short-circuit proof	Yes
Consumption w/o load	≤200 mA
Initializing time	≤500 ms after power on
Interface	PROFINET
Transmission rate	100 MBaud
Device address	Automatic address designation
Steps per turn	8192 / 13 bit
Number of turns	65536 / 16 bit
Additional outputs	Square-wave TTL/HTL, TTL/RS422
Sensing method	Magnetic
Interference immunity	EN 61000-6-2
Emitted interference	EN 61000-6-3
Programming interface	RS485 (≤600 m) ⁶⁾
Programmable parameters	Bus system: see bus features in <i>section 5.1.1</i> Additional output (number of pulses) ⁶⁾ , switch-off and switch-on speeds ⁶⁾
Diagnostic function	Position or parameter error
Status indicator	DUO-LED und LEDs link/activity in bus connecting box 4 LEDs in device back side
Approvals	CE, UL approval / E256710

8.2 Technical data - electrical ratings (speed switches)

Switching accuracy	±2 % (or 1 Digit)
Switching outputs	1 output (Open collector* or solid state relay*)
Output switching capacity	30 VDC; ≤100 mA
Switching delay time	≤20 ms

* Depending on version

⁶⁾ Only HMG10P

8.3 Technical data - mechanical design

Size (flange)	ø105 mm
Flange	Support plate, 360° freely positionable
Protection DIN EN 60529	IP66/IP67
Operating speed	≤6000 rpm
Range of switching speed	ns (off) = ±2...6000 rpm, (HMG10P: factory setting 6000 rpm)
Operating torque typ.	10 Ncm
Rotor moment of inertia	950 gcm ²
Admitted shaft load	≤450 N axial ≤650 N radial
Materials	Housing: aluminium alloy Shaft: stainless steel
Operating temperature	-40...+85 °C
Relative humidity	95 % non-condensing
Resistance	IEC 60068-2-6 Vibration 30 g, 10-2000 Hz IEC 60068-2-27 Shock 400 g, 1 ms
Corrosion protection	IEC 60068-2-52 Salt mist complies to ambient conditions CX (C5-M) according to ISO 12944-2
Weight approx.	2.2 kg*
Connection	Bus connecting box Terminal box*
HMG10-B - PROFINET	
Shaft type	ø16...20 mm (blind hollow shaft) ø17 mm (cone shaft 1:10)
HMG10-T - PROFINET	
Shaft type	ø16...20 mm (through hollow shaft)

* Depending on version



Baumer

Baumer Hübner GmbH

P.O. Box 12 69 43 · 10609 Berlin, Germany

Phone: +49 (0)30/69003-0 · Fax: +49 (0)30/69003-104

info@baumerhuebner.com · www.baumer.com/motion

Original language of this instruction is German. Technical modifications reserved.