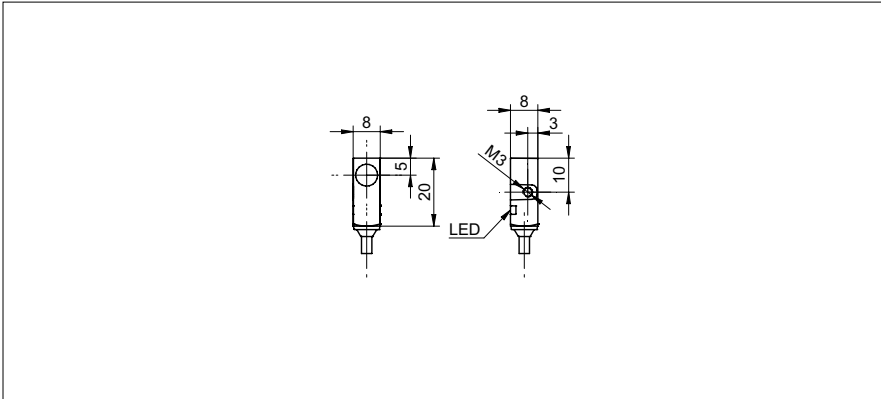


Inductive proximity switch

IFFM 08N3703/O1L

dimension drawing



general data

| | |
|--------------------------------|---------------------|
| mounting type | flush |
| nominal sensing distance S_n | 2 mm |
| hysteresis | 3 ... 20 % of S_r |
| output indicator | LED red |

electrical data

| | |
|------------------------------------|-------------------------|
| switching frequency | < 5 kHz |
| voltage supply range +Vs | 10 ... 30 VDC |
| current consumption max. (no load) | 12 mA |
| output circuit | NPN break function (NC) |
| voltage drop V_d | < 2 VDC |
| output current | < 200 mA |
| short circuit protection | yes |
| reverse polarity protection | yes |

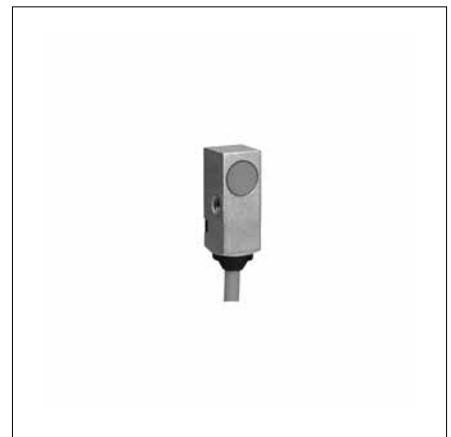
mechanical data

| | |
|-------------------------|-----------------------------|
| type | rectangular |
| material (sensing face) | PBT |
| housing material | die-cast zinc nickel plated |
| dimension | 8 mm |
| housing length | 20 mm |
| connection types | cabl, 2 m |

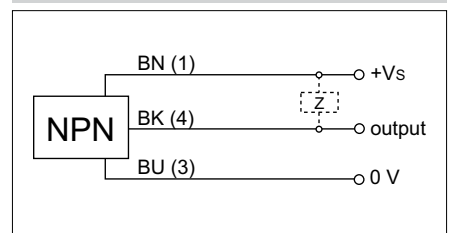
ambient conditions

| | |
|-----------------------|----------------|
| operating temperature | -25 ... +75 °C |
| protection class | IP 67 |

photo



connection diagram



• short compact housing