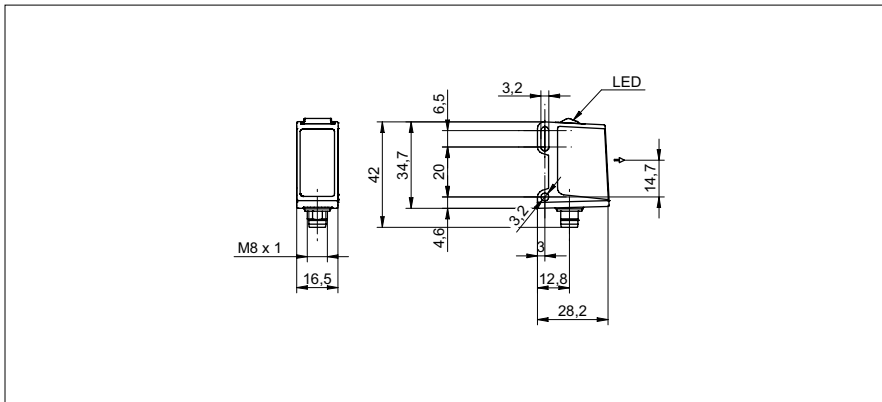


Through beam sensors

O300W.TL-11181228

dimension drawing



general data

type	through beam sensor
special type	Washdown design
emitter / receiver	emitter
light source	pulsed red laser diode
actual range S_b	40 m
nominal range S_n	75 m
power on indication	LED green
laser class	1
distance to focus	parallel beam
wave length	656 nm
alignment optical axis	< 2°
approvals/certificates	Ecolab

electrical data

voltage supply range +Vs	11 ... 30 VDC
current consumption max. (no load)	30 mA
current consumption typ.	25 mA
reverse polarity protection	yes

mechanical data

width / diameter	16,5 mm
height / length	34,7 mm
depth	28,2 mm
type	rectangular
housing material	stainless steel 1.4404 (V4A)
front (optics)	PMMA
connection types	connector M8 4 pin

ambient conditions

operating temperature	-10 ... +60 °C
protection class	IP 68/69K & proTect+

photo



connection diagram



laser warning

CLASS 1 LASER PRODUCT

IEC 60825-1/2014
Complies with 21 CFR 1040.10 and 1040.11
except for deviations pursuant to laser
notice No. 50, dated June 24, 2007

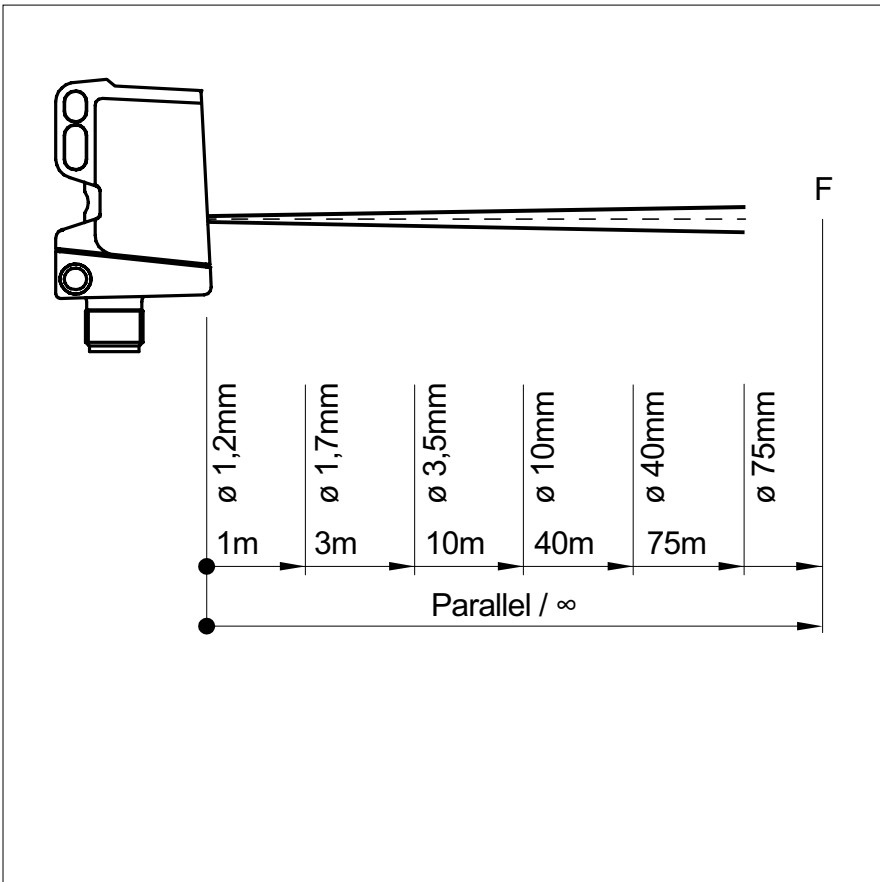
proTect⁺



Through beam sensors

O300W.TL-11181228

beam characteristic (typically)



excess gain curve

